

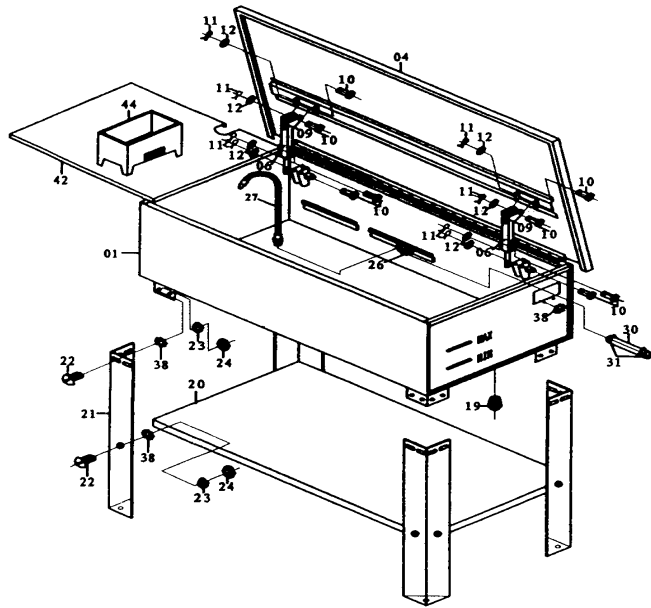


# MODEL 31400 - 40 GALLON INDUSTRIAL PARTS WASHER

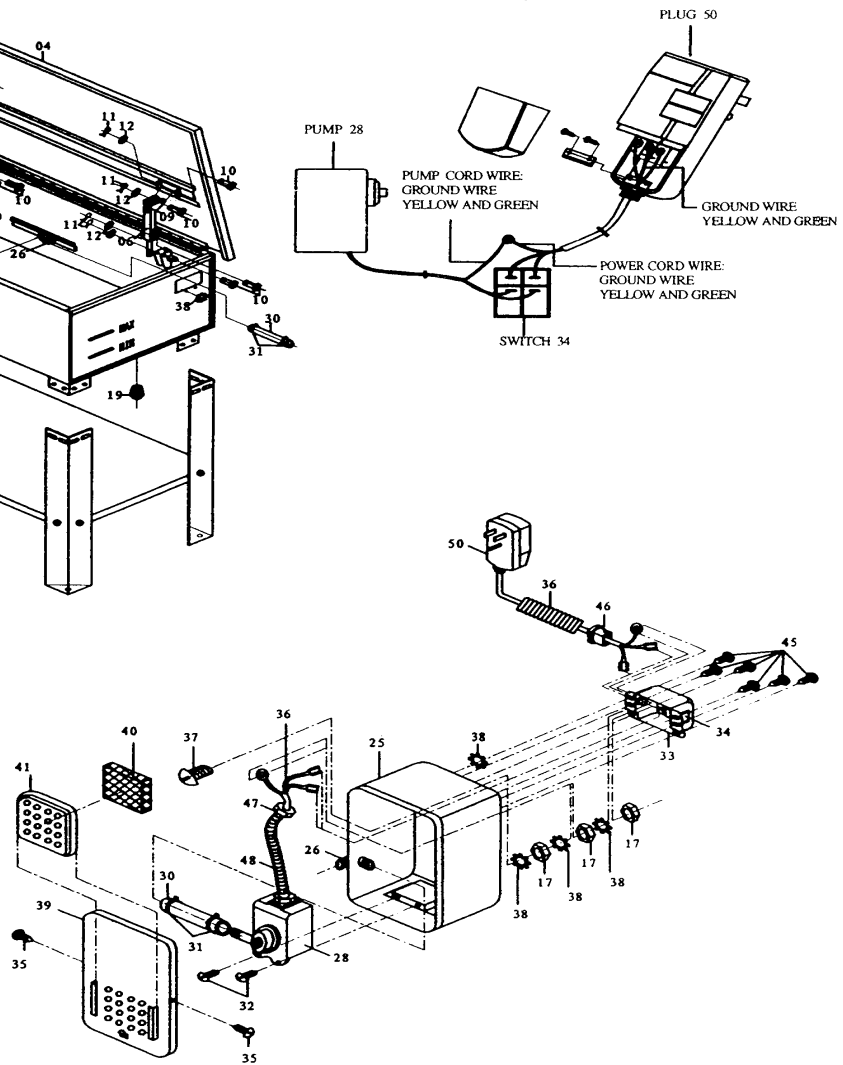
UPDATED 7-05

PART ORDER NUMBER	KIT DESCRIPTION	KIT INCLUDES	
		REF.#	DESCRIPTION
31400K27		27	FLEXIBLE PIPE
31400KA		28	PUMP
31400K34		34	SWITCH
31200AK06		6	SAFETY LEVER ea. (2 required)
31200AK40		40	SCREEN
31400K50		50	PLUG with GFCI
31400KHW		22	BOLT X 24
		23	SPRING WASHER X 24
		24	NUT X 24
		38	STAR WASHER X 10
		45	TAPPING SCREW X 10
31400K25A	PUMP, HOUSING	17	NUT
	MOTOR, CORD W/ GFCI	25	PUM HOUSING
		26	ELBOW
		28	PUMP
		30	HOSE
		31	HOSE CLAMP
		32	TAPPING SCREW
		33	SWITCH BOX
		34	SWITCH
		35	TAPPING SCREW
		36	POWER CORD
		37	PAN SCREW
		38	STAR WASHER
		39	PUMP HOUSING COVER
		40	SCREEN
		41	COVER
		45	TAPPING SCREW
		46	FEED THRU
		47	NUT
		48	FLEXIBLE PIPE
		50	PLUG W/GFCI
NOT AVAILABLE		1	TANK
NOT AVAILABLE		2	COVER
NOT AVAILABLE		4	BOLT
NOT AVAILABLE		9	SAFETY PLATE
NOT AVAILABLE		10	PIN
NOT AVAILABLE		11	SPRING PIN
NOT AVAILABLE		12	WASHER
NOT AVAILABLE		17	NUT
NOT AVAILABLE		19	PLUG
NOT AVAILABLE		20	SHELF
NOT AVAILABLE		21	LEG
NOT AVAILABLE		25	PUMP HOUSING
NOT AVAILABLE		26	ELBOW
NOT AVAILABLE		30	HOSE
NOT AVAILABLE		31	HOSE CLAMP
NOT AVAILABLE		32	TAPPING SCREW
NOT AVAILABLE		33	SWITCH BOX
NOT AVAILABLE		35	TAPPING SCREW
NOT AVAILABLE		36	POWER CORD
NOT AVAILABLE		37	PAN SCREW
NOT AVAILABLE		39	PUMP HOUSING COVER
NOT AVAILABLE		40	SCREEN
NOT AVAILABLE		41	COVER
NOT AVAILABLE		42	WORK SHELF
NOT AVAILABLE		44	BASKET
NOT AVAILABLE		46	FEED THRU
NOT AVAILABLE		47	NUT
NOT AVAILABLE		48	FLEXIBLE PIPE

# MODEL 31400 - PARTS WASHER EXPLODED VIEW



## Wiring Diagram



**\* ONLY PARTS WITH A "PART ORDER NUMBER" ARE AVAILABLE.**

**DO NOT COPY OR DISTRIBUTE THIS MATERIAL WITHOUT PERMISSION OF AFF, INC.**