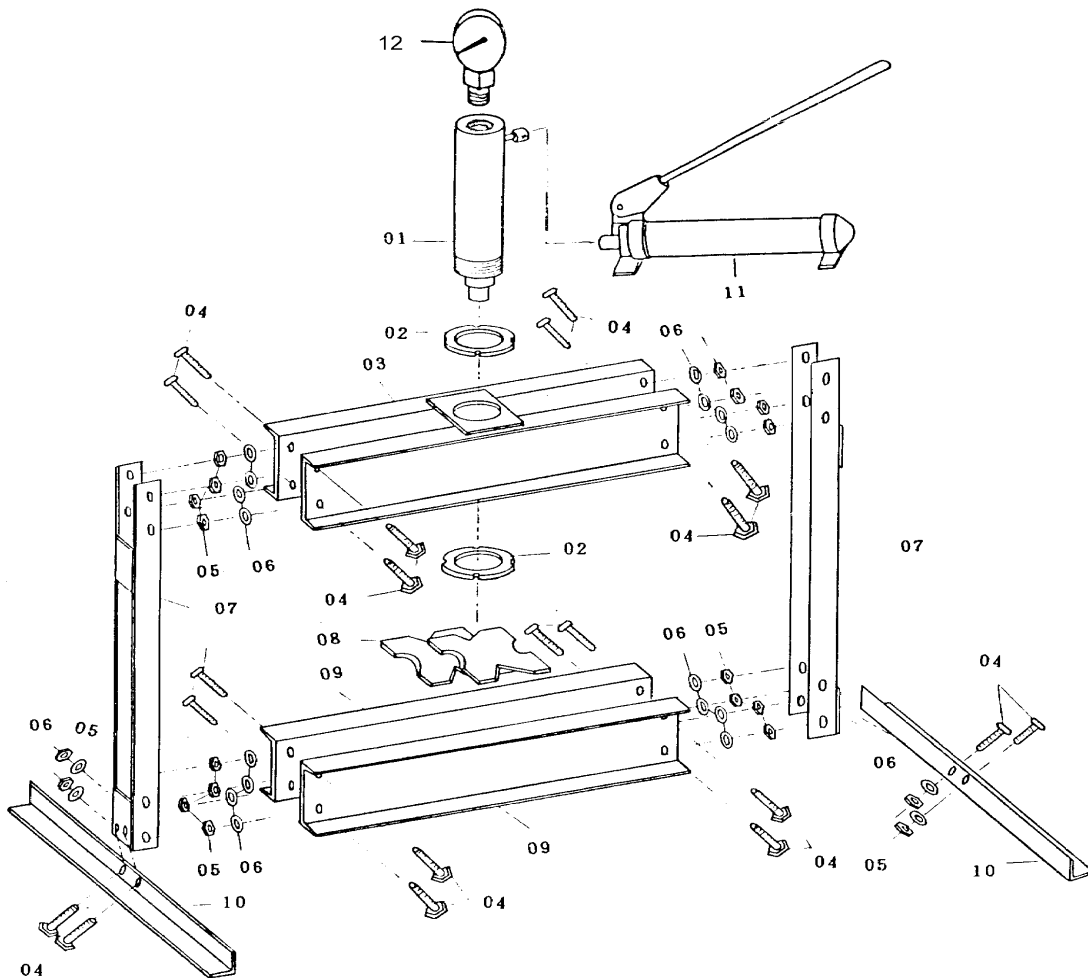




# MODEL 3830 - 12 TON CAPACITY BENCH PRESS

UPDATED 3/06

PART ORDER NUMBER	KIT DESCRIPTION	KIT INCLUDES	
		REF. #	DESCRIPTION
3830K01	RAM	1	RAM
3830K11	PUMP	11	PUMP
3830KHK	HARDWARE	2	NUT - 2
		4	BOLT - 20
		5	NUT - 20
		6	WASHER - 20
3830K08	PRESS PLATES	8	PRESS PLATES - 2
NOT AVAILABLE		3	FRAME
NOT AVAILABLE		7	BEARING POST
NOT AVAILABLE		9	U-STEEL
NOT AVAILABLE		10	ANGLE STEEL



\* ONLY PARTS WITH A "PART ORDER NUMBER" ARE AVAILABLE FOR SALE.

DO NOT COPY OR DISTRIBUTE THIS MATERIAL WITHOUT PERMISSION OF AFF, INC.