



MODEL 3900A/3936 - PLATFORM PALLET JACKS

UPDATED 3/06

PART ORDER NUMBER	KIT DESCRIPTION	KIT INCLUDES	
		REF. #	DESCRIPTION
3900AK306	STEER WHEEL ASSEMBLY	L301N L302N L303N L305N L306N	SCREW HUB CAP RETAINING RING BEARING X 2 WHEEL
3900AK230	ENTRY WHEEL ASM.	L229 L230 L231	NUT ENTRY ROLLER BOLT
3900AK304	AXLE SET	304N 307N 348N	WHEEL SHAFT RETAINING RING PIN
3900AK207	THRUST CARRIER	L204 L205 L207 L349 L350	SHOULDER BOLT (2 REQ.) BUSHING (2 REQ.) THRUST PLATE THRUST BEARING SNAP RING
3900AKHU	HYDRAULIC UNIT COMPLETE	L308 L309 L310 L311N L312 L313 L314 L315 L316 L317 L318 L320 L321 L322 L323 L324 L319A L325A L326A L327A L328A L329A L330 L331A L332 L333 L334 L335 L336 L337 L338 L339 L340 L341 L342 L343 L344 L345	O-RING X 2 RELEASE VALVE SPRING PUMP BODY SEAL WASHER FILL PLUG Y-SEAL Y-SEAL WIPER LIFT PISTON ROD STEEL BALL PUMP PISTON SPRING CAP SPRING WIPER Y-SEAL YOKE PIN ROLLER BUSHING ELASTIC PIN ELASTIC PIN BUSHING X 2 AXLE BOLT PLUG SPRING SEAL WASHER VALVE PIN VALVE O-RING STEEL BALL S/V PIN SPRING ADJUSTING BOLT O-RING PLUG ELASTIC PIN LEVER
3900AK319	YOKE SET	L319A L325A L326A L327A L328A L329A L330 L331A	YOKE PIN ROLLER BUSHING ELASTIC PIN ELASTIC PIN BUSHING X 2 AXLE

* ONLY PARTS WITH A "PART ORDER NUMBER" ARE AVAILABLE FOR SALE.

DO NOT COPY OR DISTRIBUTE THIS MATERIAL WITHOUT PERMISSION OF AFF, INC.



MODEL 3900A/3936 - PLATFORM PALLET JACKS

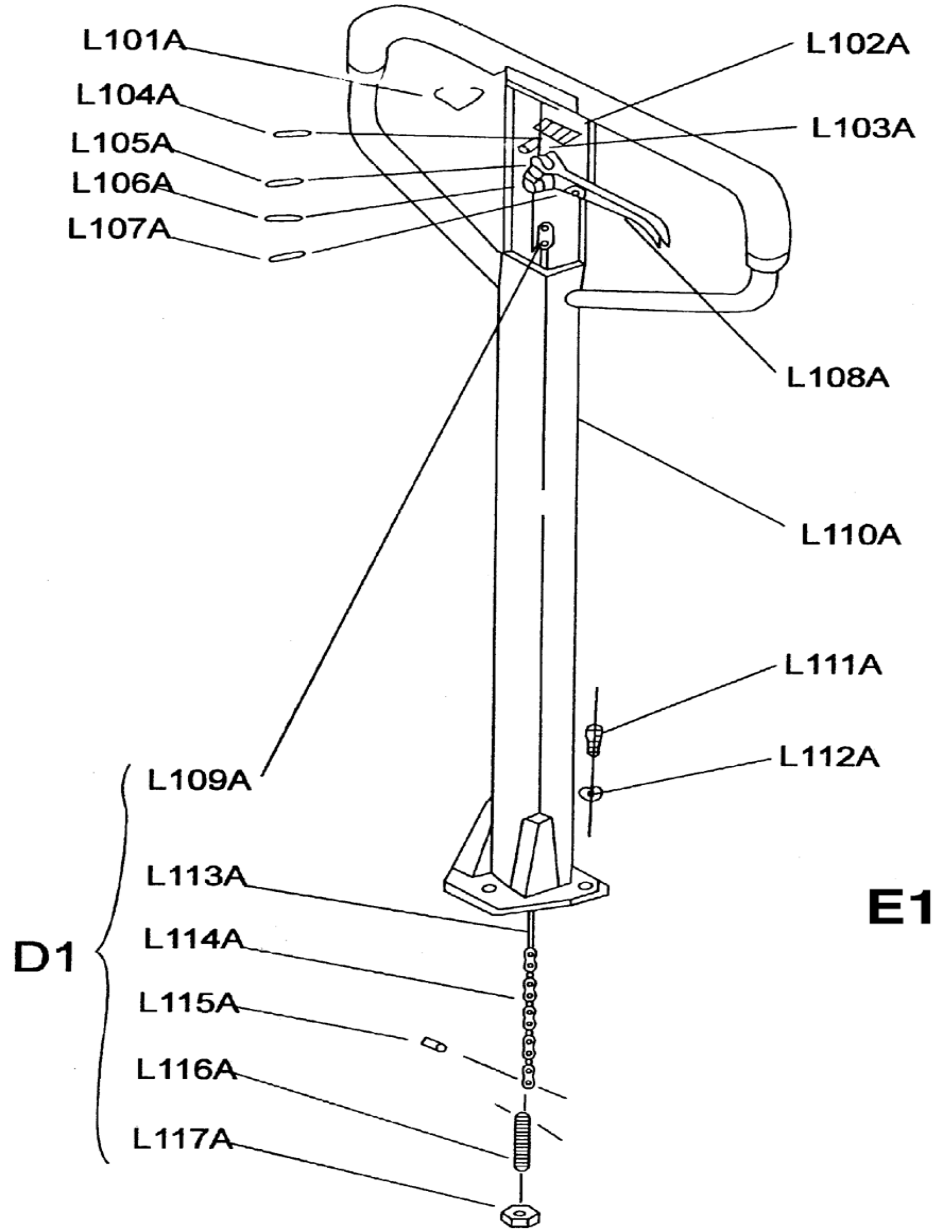
UPDATED 3/06

PART ORDER NUMBER	KIT DESCRIPTION	KIT INCLUDES	
		REF. #	DESCRIPTION
3900AK110	COMPLETE HANDLE	L101A L102A L103A L104A L105A L106A L107A L108A L109A L110A L111A L112A L113A 114A L115A L116A 117A	SPRING BLADE SPRING ROLLER ELASTIC SPRING ELASTIC SPRING ELASTIC SPRING ELASTIC SPRING CONTROL HANDLE BOARD HANDLE BODY BOLT x 3 ELASTIC WASHER X 3 PULL ROD CHAIN PIN ADJUSTING BOLT ADJUSTING NUT
3900AK226	FORK WHEEL ASM.	L215 L216 L217 L218 L219 L220 L221 L222 L223 L224 L225 L226 L227 L228	ROLLER BUSHING X 2 AXLE ELASTIC PIN BUSHING X 2 ROLLER FRAME SET BOLT PIN WASHER X 2 ROLLER AXLE BEARING X 2 ROLLER ELASTIC WASHER NUT
3900AKRK	REPAIR KIT	L308 L312 L314 L315 L316 L323 L324 L334 L337 L342	O-RING (2 REQ.) SEAL WASHER Y SEAL Y SEAL WIPER WIPER Y SEAL SEAL WASHER O-RING O-RING
3900AKQRK		L308 L309 L310	O-RING (2 REQ.) RELEASE VALVE SPRING
3900AKSRK		L339 L340 L341 L342 L343	S/V PIN SPRING ADJUSTING BOLT O-RING PLUG
3900AKTRK		L332 L333 L334 L335 L336 L337 L338	BOLT PLUG SPRING SEAL WASHER VALVE PIN VALVE O-RING STEEL BALL
NOT AVAILABLE		201	CHASSIS
NOT AVAILABLE		202	LOCK BOLT
NOT AVAILABLE		203	BUSHING
NOT AVAILABLE		206	TORSION TUBE
NOT AVAILABLE		208	ELASTIC PIN
NOT AVAILABLE		209	EYE BOLT
NOT AVAILABLE		210	NUT
NOT AVAILABLE		211	PUSH ROD
NOT AVAILABLE		213	ELASTIC PIN
NOT AVAILABLE		214	TORSION TUBE AXLE

* ONLY PARTS WITH A "PART ORDER NUMBER" ARE AVAILABLE FOR SALE.

DO NOT COPY OR DISTRIBUTE THIS MATERIAL WITHOUT PERMISSION OF AFF, INC.

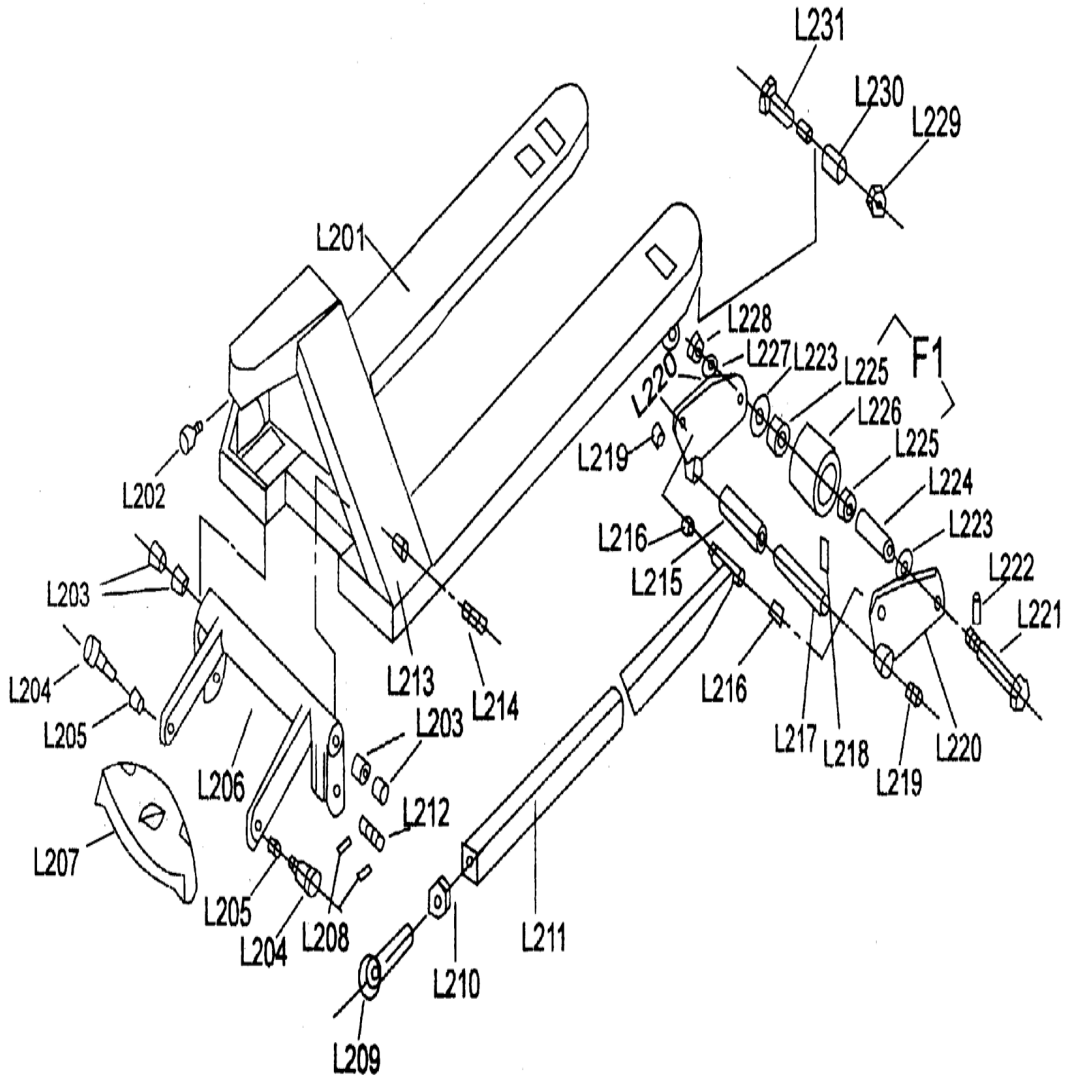
MODEL 3900A/3936 - PLATFORM PALLET JACKS



* ONLY PARTS WITH A "PART ORDER NUMBER" ARE AVAILABLE FOR SALE.

DO NOT COPY OR DISTRIBUTE THIS MATERIAL WITHOUT PERMISSION OF AFF, INC.

MODEL 3900A/3936 - PLATFORM PALLET JACKS



* ONLY PARTS WITH A "PART ORDER NUMBER" ARE AVAILABLE FOR SALE.

DO NOT COPY OR DISTRIBUTE THIS MATERIAL WITHOUT PERMISSION OF AFF, INC.

