



MODEL 3991 - 55 GALLON DRUM HANDLER

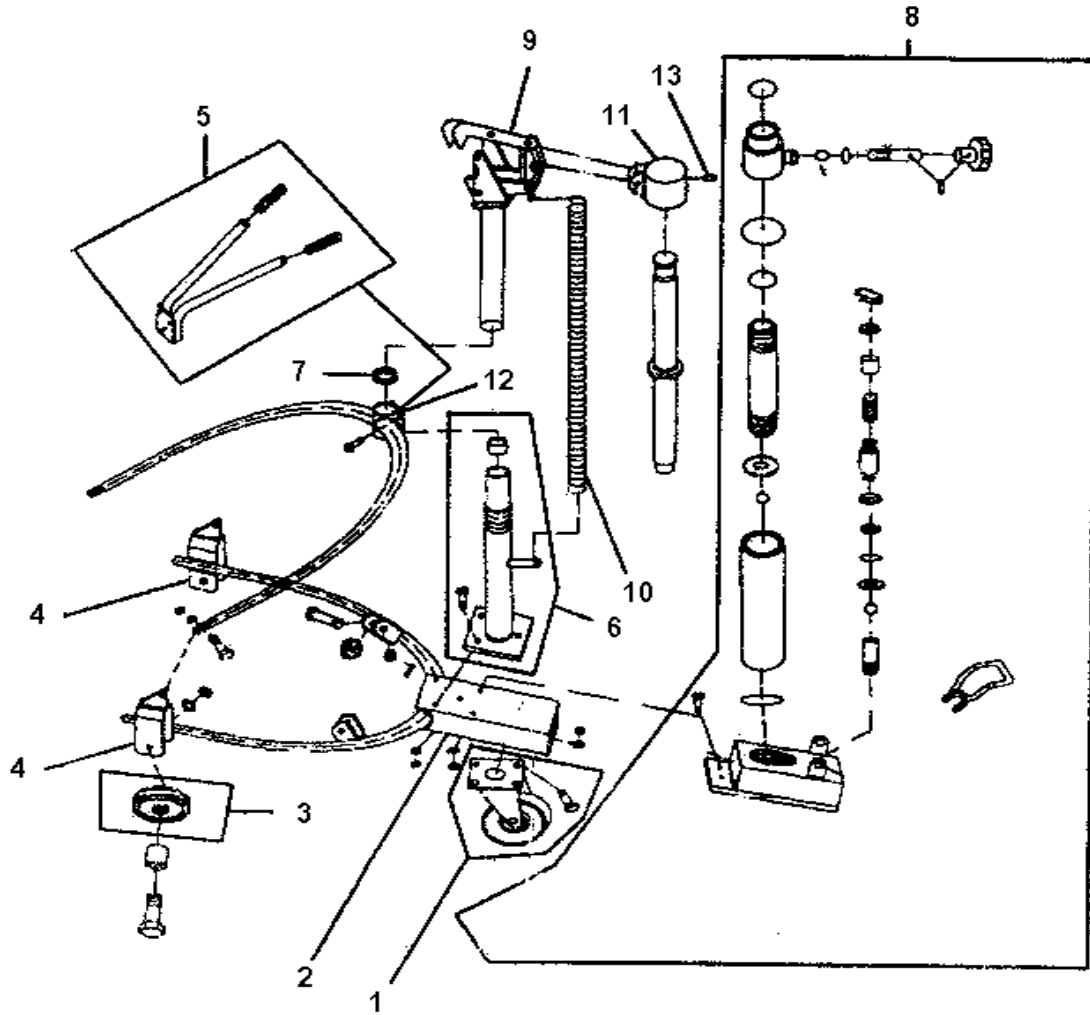
UPDATED 3/06

PART ORDER NUMBER	KIT DESCRIPTION	KIT INCLUDES	
		REF.#	DESCRIPTION
3991K01	CASTER	1	CASTER, COMPLETE
3991KHU	HYDRAULIC UNIT	8	HYDRAULIC UNIT, COMPLETE
NOT AVAILABLE		2	BASE ASSEMBLY
NOT AVAILABLE		3	FRONT WHEELS
NOT AVAILABLE		4	WHEEL BRACKET PAIR
NOT AVAILABLE		5	HANDLE ASSEMBLY.
NOT AVAILABLE		6	FULCRUM POST
NOT AVAILABLE		7	HANDLE BRACKET RETAINING NUT
NOT AVAILABLE		9	FULCRUM ASSEMBLY
NOT AVAILABLE		10	RETURN SPRING
NOT AVAILABLE		11	PIVOT CAP
NOT AVAILABLE		12	HANDLE BRACKET
NOT AVAILABLE		13	SET SCREW

*** ONLY PARTS WITH A "PART ORDER NUMBER" ARE AVAILABLE.**

DO NOT COPY OR DISTRIBUTE THIS MATERIAL WITHOUT PERMISSION OF AFF, INC.

MODEL 3991 - 55 GALLON DRUM HANDLER



* ONLY PARTS WITH A "PART ORDER NUMBER" ARE AVAILABLE.

DO NOT COPY OR DISTRIBUTE THIS MATERIAL WITHOUT PERMISSION OF AFF, INC.