



MODEL 571A - 1250 lb. CAPACITY ENGINE STAND

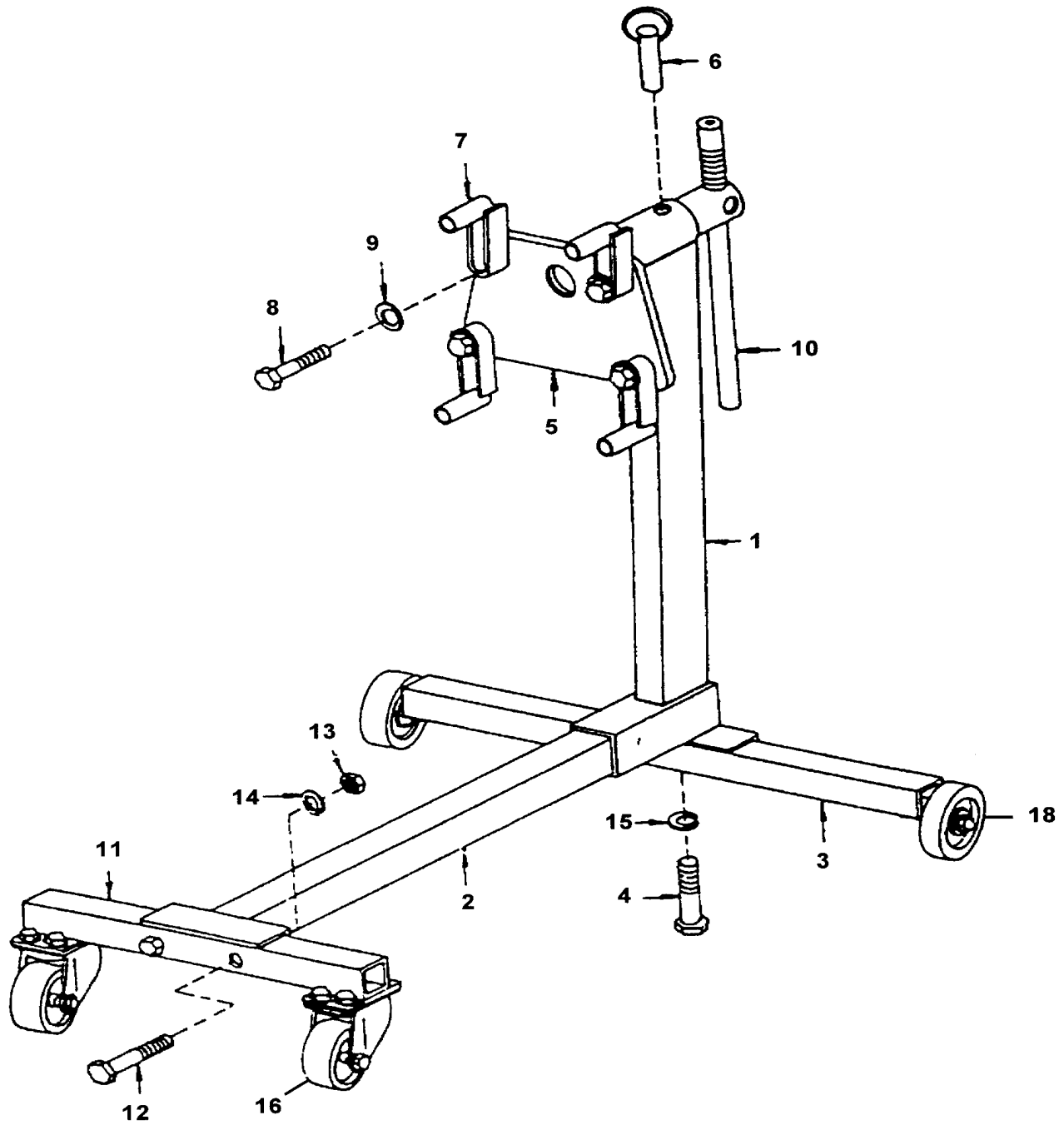
UPDATED 3/06

PART ORDER NUMBER	KIT DESCRIPTION	KIT INCLUDES	
		REF. #	DESCRIPTION
571K22	HARDWARE KIT	4	BOLT 1/2" x 3 1/4"
		6	LOCK PIN
		7	MOUNTING ARMS - 4
		8	BOLT 1/2" x 2 1/2" - 4
		9	WASHER - FLAT STEEL - 4
		12	BOLT 3/8" x 2 3/4" - 2
		13	HEX NUT 3/8" - 4
		14	SPRING WASHER 3/8" - 3
		15	SPRING WASHER 1/2" - 2
		571K16	CASTER
571K18	REAR FLAT WHEEL	18	FLAT WHEEL
NOT AVAILABLE		1	MAIN POST WITH HEX NUT
NOT AVAILABLE		2	SUPPORT - FRONT LEG
NOT AVAILABLE		3	SIDE LEG WITH WHEELS
NOT AVAILABLE		5	HEAD ASSEMBLY
NOT AVAILABLE		10	HANDLE
NOT AVAILABLE		11	FRONT LEG WITH CASTER

*** ONLY PARTS WITH A "PART ORDER NUMBER" ARE AVAILABLE FOR SALE.**

DO NOT COPY OR DISTRIBUTE THIS MATERIAL WITHOUT PERMISSION OF AFF, INC.

MODEL 571A - 1250 lb. CAPACITY ENGINE STAND



DO NOT COPY OR DISTRIBUTE THIS MATERIAL WITHOUT PERMISSION OF AFF, INC.