



MODEL 573A - 1250 lb. CAPACITY ENGINE STAND

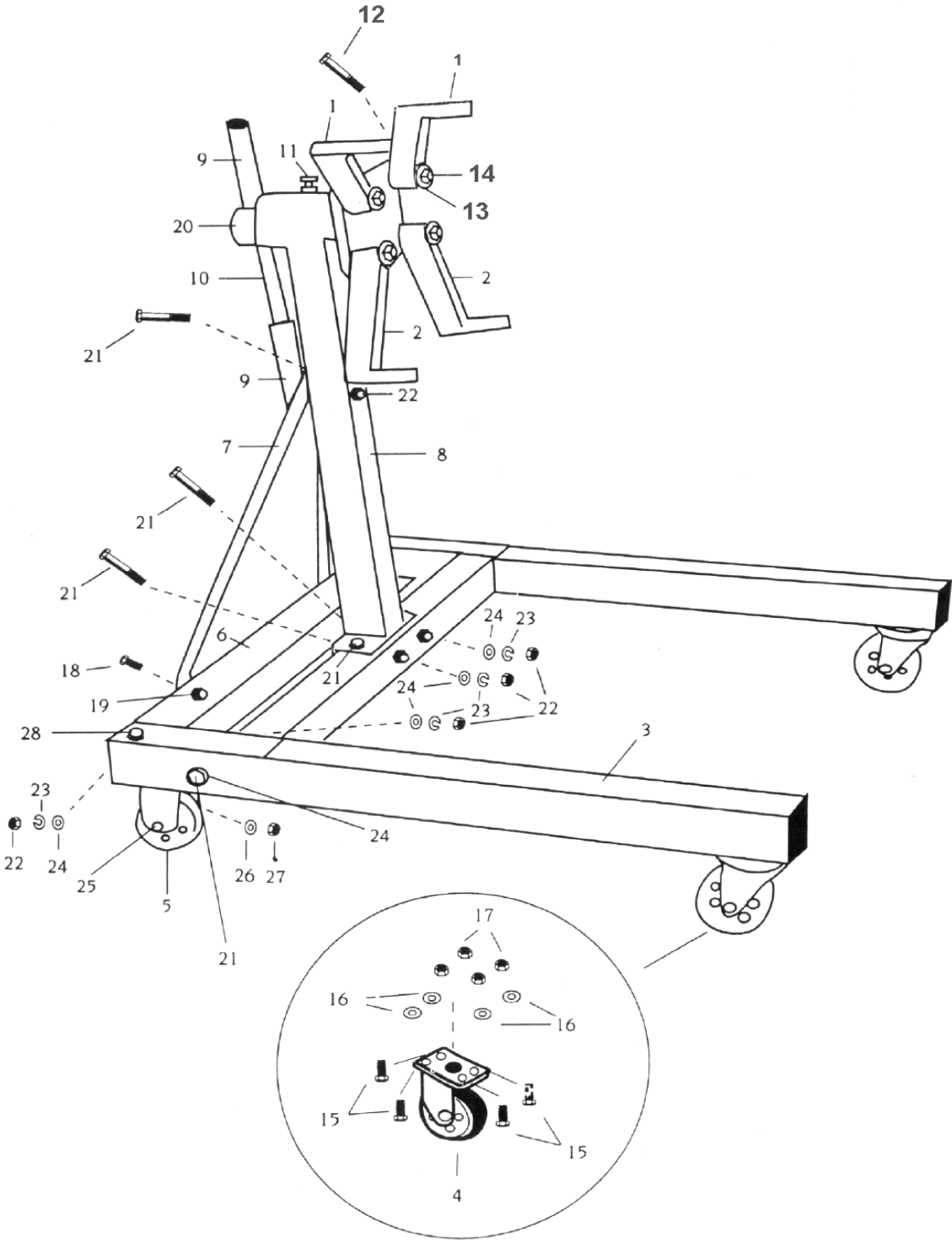
UPDATED 3/06

PART ORDER NUMBER	KIT DESCRIPTION	KIT INCLUDES	
		REF. #	DESCRIPTION
573AKHK	Hardware Kit	1	Short Finger
		2	Long Finger
		11	1/2" x 1" Bolt
		12	1/2" x 2-3/4" Bolt
		13	1/2" Washer
		14	1/2" Nut
		15	5/16" x 3/4" Bolt
		16	5/16" Washer
		17	5/16" Nut
		18	7/16" x 1-1/4" Bolt
		19	7/16" Nut
		21	1/2" x 3-1/2" Bolt
		22	1/2" Nut
		23	1/2" Split Lockwasher
		24	1/2" Washer
		25	7/16" x 2-1/2" Bolt
26	7/16" Washer		
27	7/16" Nut		
28	1/2" x 1-1/4" Bolt		
573K4	Front Caster	4	3-1/2" Swivel Caster
573AK25	Rear Wheel Kit	5	3" Wheel
		25	7/16" x 2-1/2" Bolt
		26	7/16" Washer
		27	7/16" Nut
NOT AVAILABLE		3	Base Leg
NOT AVAILABLE		6	Base
NOT AVAILABLE		7	Straps
NOT AVAILABLE		8	Post
NOT AVAILABLE		9	Handle Grips
NOT AVAILABLE		10	Handle

* ONLY PARTS WITH A "PART ORDER NUMBER" ARE AVAILABLE FOR SALE.

DO NOT COPY OR DISTRIBUTE THIS MATERIAL WITHOUT PERMISSION OF AFF, INC.

MODEL 573A - 1250 lb. CAPACITY ENGINE STAND



DO NOT COPY OR DISTRIBUTE THIS MATERIAL WITHOUT PERMISSION OF AFF, INC.