



MODEL 801

UPDATED 9-05

| PART ORDER NUMBER | KIT DESCRIPTION | KIT INCLUDES | |
|----------------------|-----------------|--------------|--------------------------------|
| | | REF. # | DESCRIPTION |
| 801KP23 | RUBBER BLADDER | P23 | OIL RESERVOIR - RUBBER BLADDER |
| 801K01 | TREADLE | 01 | TREADLE |
| 801KRK | REPAIR KIT | M05 | SEAL CAP |
| | | M07 | O-RING |
| | | M14 | BALL |
| | | M15 | RUBBER WASHER |
| | | M16 | O-RING |
| | | M18 | O-RING |
| | | M20 | PISTON RING |
| | | P02 | BALL |
| | | P05 | SEAL |
| | | P06 | O-RING |
| | | P07 | WASHER |
| | | P09 | BALL |
| | | P10 | SPRING |
| | | P11 | O-RING |
| | | P13 | O-RING |
| | | P14 | O-RING |
| | | P16 | O-RING |
| | | P19 | FILTER |
| | | P20 | WASHER |
| | | P29 | BALL |
| | | P30 | SEAL |
| | | 04 | GASKET |
| NOT AVAILABLE | | M01 | MOTOR BODY |
| NOT AVAILABLE | | M02 | BODY W/SLEEVE |
| NOT AVAILABLE | | M03 | PIN |
| NOT AVAILABLE | | M04 | VALVE STEM |
| NOT AVAILABLE | | M06 | EXHAUST PLUG |
| NOT AVAILABLE | | M08 | STEM |
| NOT AVAILABLE | | M11 | SCREW |
| NOT AVAILABLE | | M12 | PLUG |
| NOT AVAILABLE | | M13 | SPRING |
| NOT AVAILABLE | | M17 | STEM |
| NOT AVAILABLE | | M19 | PLUG |
| NOT AVAILABLE | | M21 | PISTON |
| NOT AVAILABLE | | M22 | PLUNGER |
| NOT AVAILABLE | | M23 | CAP WASHER |
| NOT AVAILABLE | | M24 | SPRING |
| NOT AVAILABLE | | M25 | COUPLING |
| NOT AVAILABLE | | M26 | DUST CAP |
| NOT AVAILABLE | | P01 | PUMP BASE |
| NOT AVAILABLE | | P03 | SPRING |
| NOT AVAILABLE | | P04 | PUMP CYLINDER |
| NOT AVAILABLE | | P08 | NUT |
| NOT AVAILABLE | | P12 | CHECK VALVE |
| NOT AVAILABLE | | P15 | RELEASE VALVE |
| NOT AVAILABLE | | P17 | RELEASE |
| NOT AVAILABLE | | P18 | RETAINING RING |



MODEL 801

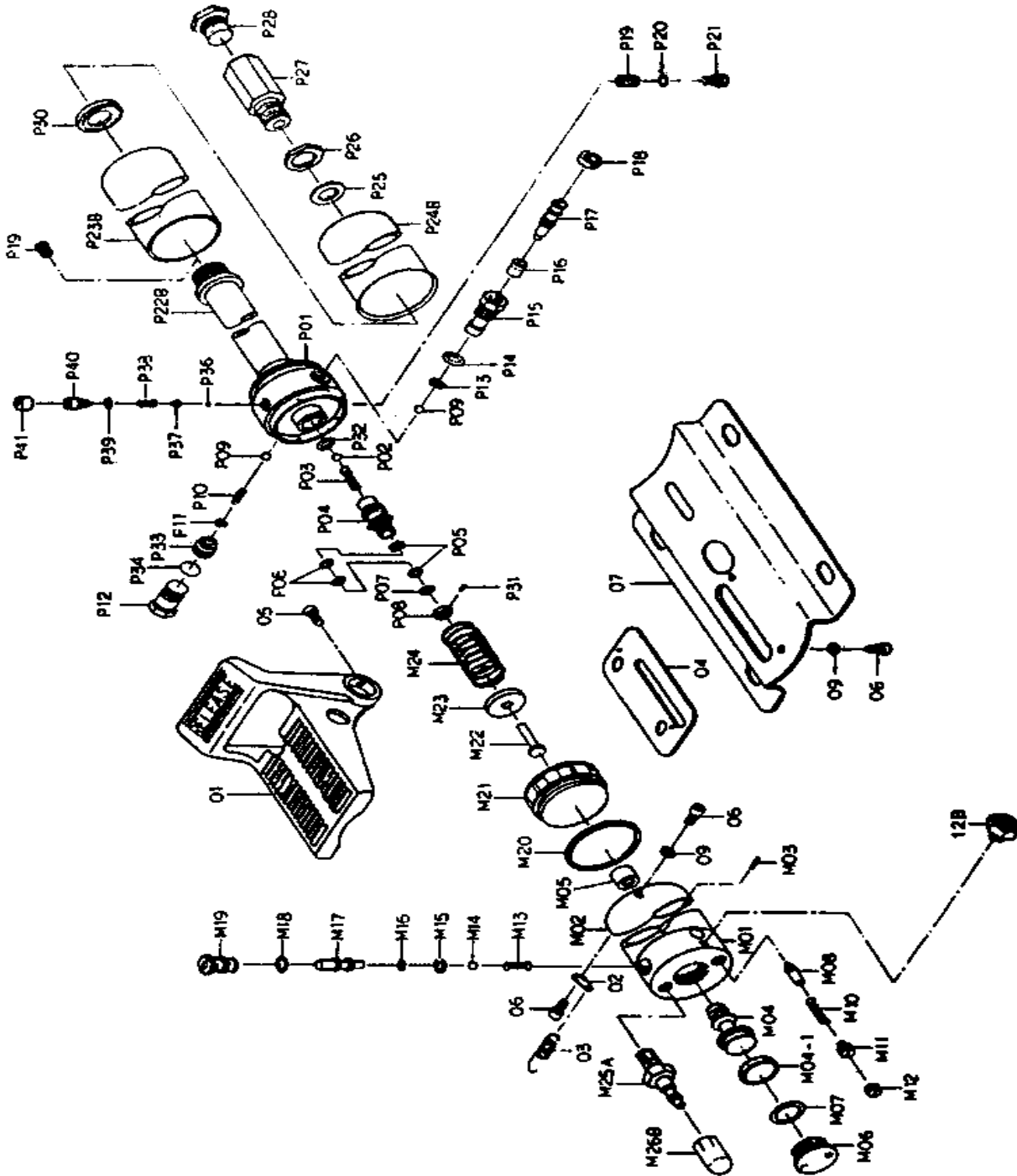
UPDATED 9-05

| PART ORDER NUMBER | KIT DESCRIPTION | KIT INCLUDES | |
|----------------------|-----------------|--------------|--------------------|
| | | REF. # | DESCRIPTION |
| NOT AVAILABLE | | P21 | SCREW |
| NOT AVAILABLE | | P22 | HYDRAULIC PIPE |
| NOT AVAILABLE | | P24 | RESERVOIR |
| NOT AVAILABLE | | P25 | BUSHING |
| NOT AVAILABLE | | P26 | NUT |
| NOT AVAILABLE | | P27 | ADAPTER |
| NOT AVAILABLE | | P28 | SCREW |
| NOT AVAILABLE | | 02 | SPRING HOOK WASHER |
| NOT AVAILABLE | | 03 | SPRING |
| NOT AVAILABLE | | 05 | ALLEN HEAD SCREW |
| NOT AVAILABLE | | 06 | ALLEN HEAD SCREW |
| NOT AVAILABLE | | 07 | BASE |
| NOT AVAILABLE | | 08 | SPRING WASHER |

*** ONLY PARTS WITH A "PART ORDER NUMBER" ARE AVAILABLE FOR SALE.**

DO NOT COPY OR DISTRIBUTE THIS MATERIAL WITHOUT PERMISSION OF AFF, INC.

MODEL 801



DO NOT COPY OR DISTRIBUTE THIS MATERIAL WITHOUT PERMISSION OF AFF, INC.