

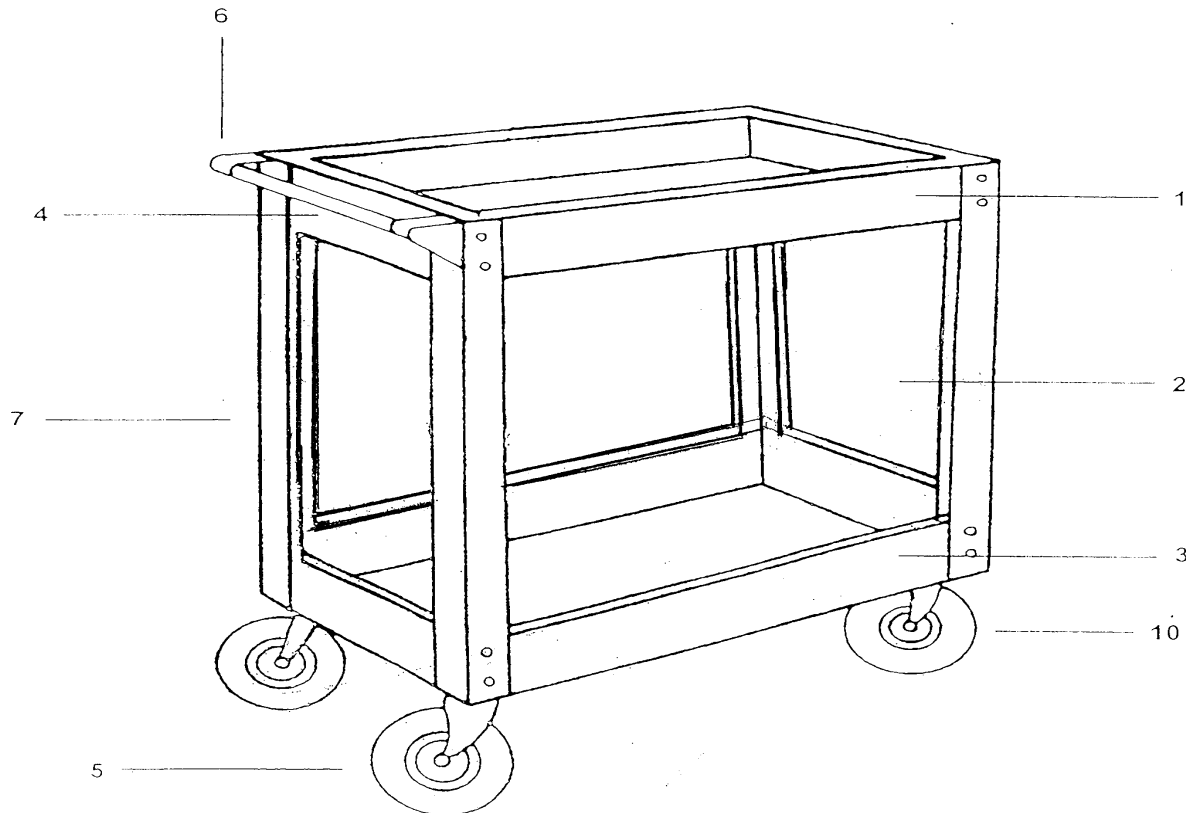


# MODEL 958 - TWO-TRAY SERVICE CART

UPDATED 9-01

| PART ORDER NUMBER | KIT DESCRIPTION | KIT INCLUDES |                     |
|-------------------|-----------------|--------------|---------------------|
|                   |                 | REF. #       | DESCRIPTION         |
| 958K05            | SWIVEL CASTER   | 5            | SWIVEL CASTER       |
| 958K10            | WHEEL           | 10           | WHEEL               |
| 958K08            | HARDWARE        |              | HARDWARE PACKAGE    |
| NOT AVAILABLE     |                 | 1            | UPPER TRAY          |
| NOT AVAILABLE     |                 | 2            | MIDDLE TRAY         |
| NOT AVAILABLE     |                 | 3            | LOWER TRAY          |
| NOT AVAILABLE     |                 | 4            | HANDLE              |
| NOT AVAILABLE     |                 | 6            | HANDLE BRACKETS - 2 |
| NOT AVAILABLE     |                 | 7            | POSTS               |

**\* ONLY PARTS WITH A "PART ORDER NUMBER" ARE AVAILABLE FOR SALE.**



**DO NOT COPY OR DISTRIBUTE THIS MATERIAL WITHOUT PERMISSION OF AFF, INC.**