

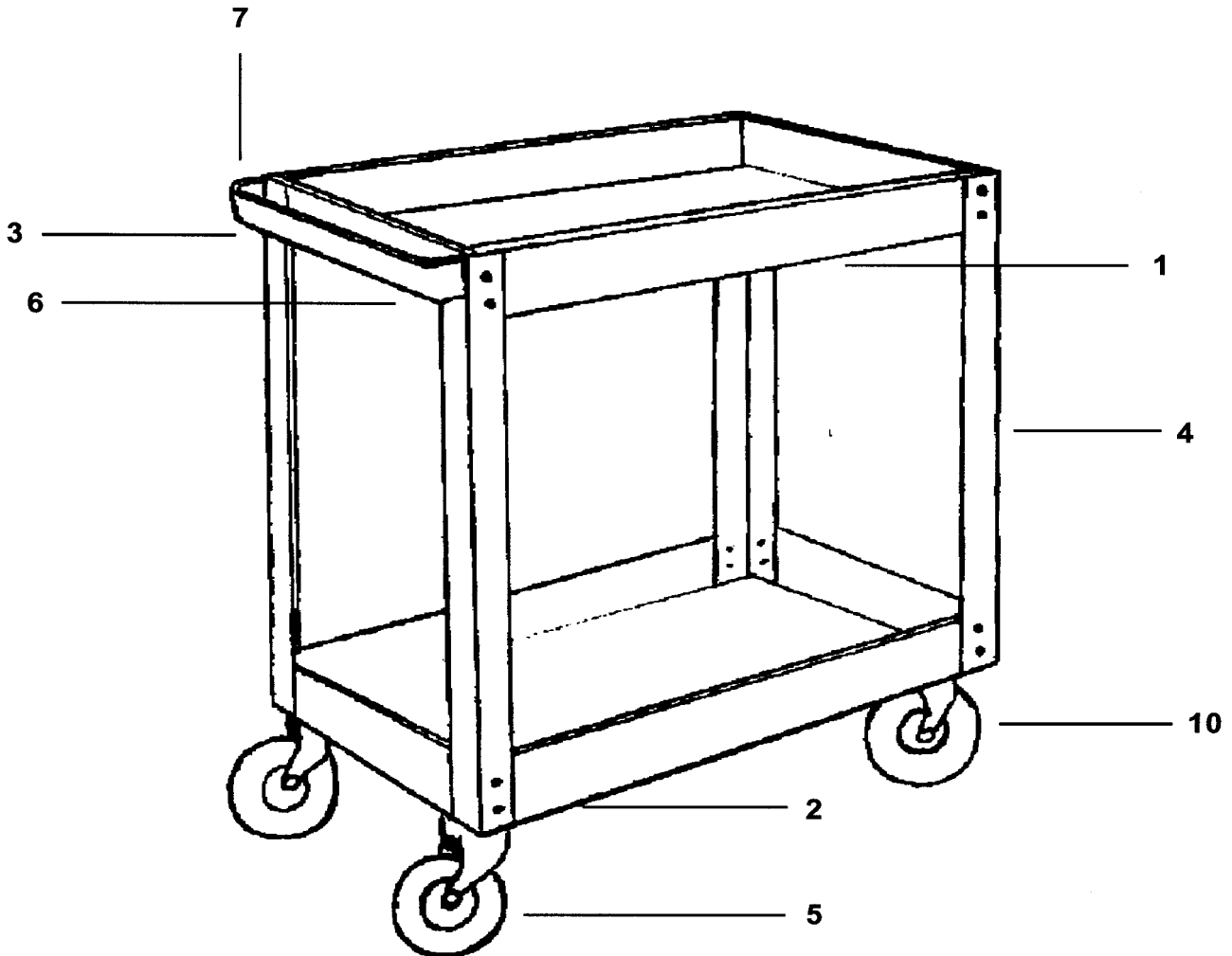


MODEL 959 - TWO-TRAY SERVICE CART

UPDATED 3/06

PART ORDER NUMBER	KIT DESCRIPTION	KIT INCLUDES	
		REF. #	DESCRIPTION
959K5	SWIVEL CASTER	5	SWIVEL CASTER
959K10	WHEEL	10	STATIONARY WHEEL
959K22	HARDWARE		HARDWARE PACKAGE
NOT AVAILABLE		1	UPPER TRAY
NOT AVAILABLE		2	LOWER TRAY
NOT AVAILABLE		3	HANDLE
NOT AVAILABLE		4	LEG
NOT AVAILABLE		6	RIGHT HANDLE BRACKET
NOT AVAILABLE		7	LEFT HANDLE BRACKET

*** ONLY PARTS WITH A "PART ORDER NUMBER" ARE AVAILABLE FOR SALE.**



DO NOT COPY OR DISTRIBUTE THIS MATERIAL WITHOUT PERMISSION OF AFF, INC.