



**MODEL 2158 - 1,100lb. TELESCOPIC TRANSMISSION JACK**

UPDATED 3/06

PART ORDER NUMBER	KIT DESCRIPTION	KIT INCLUDES	
		REF. #	DESCRIPTION
2158KHU	HYDRAULIC UNIT		COMPLETE HYDRAULIC UNIT
2158KRK	REPAIR KIT	8	O-RING
		11	O-RING
		16	O-RING
		24	O-RING
		31	V-RING
		32	DUST SEAL
		33	O-RING
		35	O-RING
		42	SCRAPER SEAL RING
		44	O-RING
		48	O-RING
		36	THREADED PLUG
		37	SPRING
		38	BALL
		39	SPRING
		40	BALL
		48	O-RING
55	SEAL		
2158K34C	PUMP SET	27	TRACK RING
		28	WASHER
		29	SPRING
		30	PUMP PISTON
		31	V-RING
		32	DUST SEAL
		33	O-RING
		34	PUMP UNIT
		35	O-RING
2158K02C	PEDAL ASSEMBLY	1	SCREW
		2	PEDAL
		3	BUSH
		4	TRACK RING
2158K06C	CASTER SET ( set of 4 )	5	WASHER
		6	SWIVEL WHEEL
		7	NUT
2158K52C	RELEASE VALVE SET	40	BALL
		42	SCRAPER RING
		44	O-RING
		46	CYLINDER HEAD
		48	O-RING
		49	PIN
		50	SPRING
		51	BUSH
52	RELEASE KNOB		
53	SCREW		

**\* ONLY PARTS WITH A "PART ORDER NUMBER" ARE AVAILABLE FOR SALE.**

**DO NOT COPY OR DISTRIBUTE THIS MATERIAL WITHOUT PERMISSION OF AFF, INC.**



**MODEL 2158 - 1,100lb. TELESCOPIC TRANSMISSION JACK**

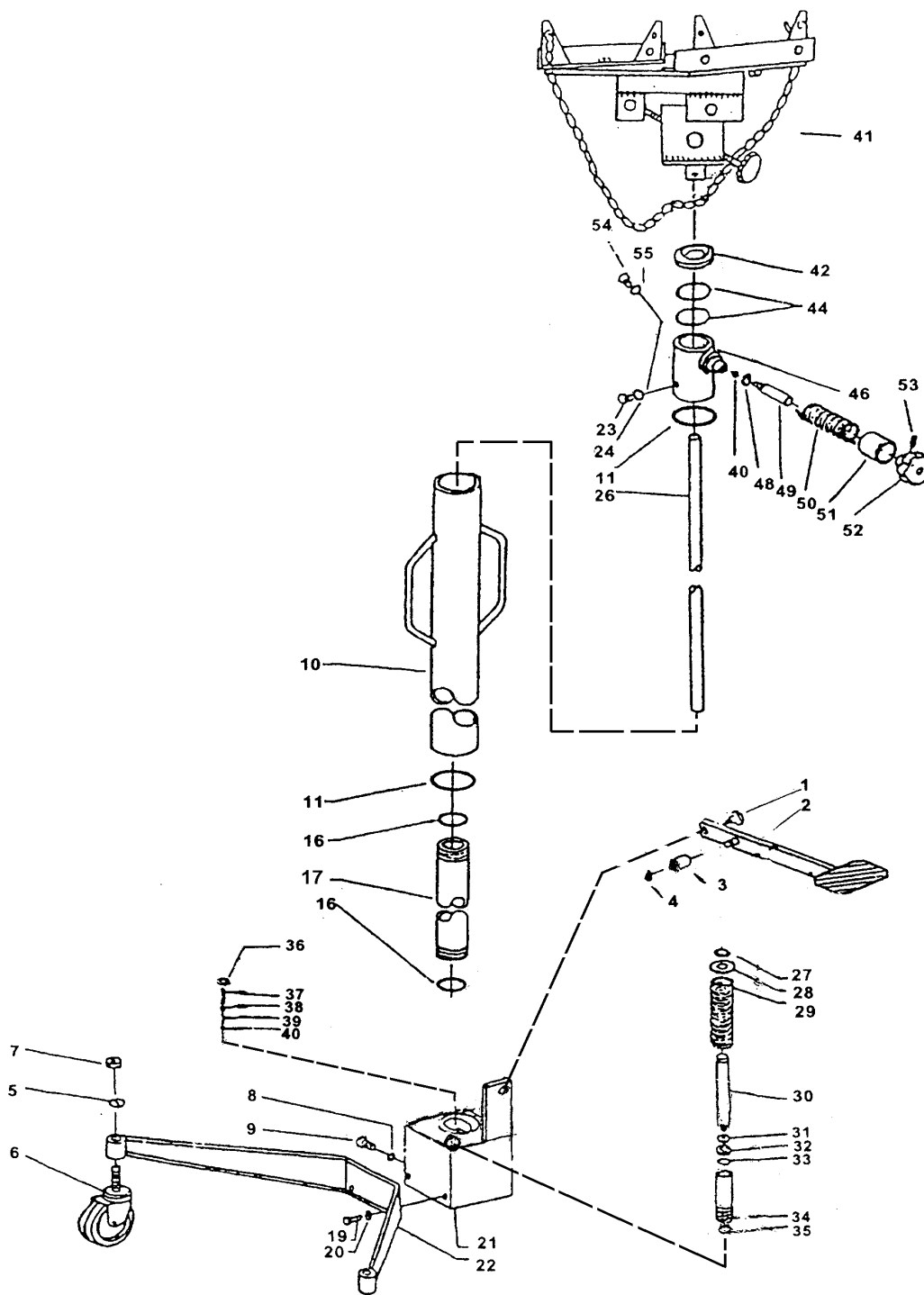
UPDATED 3/06

PART ORDER NUMBER	KIT DESCRIPTION	KIT INCLUDES	
		REF. #	DESCRIPTION
2158K77C	HARDWARE KIT	74	WASHER
		75	NUT
		76	WASHER
		77	PLATE
		78	BOLT
		79	BOLT
		80	WASHER
		81	BOLT
		82	BAR
		83	SCREW
		84	FLY NUT
2158K41	ADAPTER HEAD COMPLETE	85	CHAIN
		60	REST
		61	SUPPORT
		62	SHAFT
		63	CIRCLIP (4)
		64	SPLIT PIN
		65	SCREW
		66	LONG SHAFT
		67	SCREW ROD
		68	NUT M12
		69	BEARING (2)
		70	SHAFT
		71	CIRCLIP (2)
		72	ANGLE (2)
		73	BOLT M10 X 35 (2)
74	WASHER (4)		
75	NUT M10 (7)		
76	WASHER M10 (5)		
77	PLATE (4)		
78	BOLT M10 X 25 (4)		
79	BOLT M8 X 25		
80	WASHER M8 (3)		
82	BAR		
83	SCREW		
84	FLY NUT		
85	CHAIN		
NOT AVAILABLE		9	SCREW
NOT AVAILABLE		10	CYLINDER
NOT AVAILABLE		17	CYLINDER
NOT AVAILABLE		19	SCREW
NOT AVAILABLE		20	WASHER
NOT AVAILABLE		21	PUMP
NOT AVAILABLE		22	UNDER CARRIAGE
2158-23		23	SCREW
NOT AVAILABLE		26	PISTON
NOT AVAILABLE		36	THREADED PLUG
NOT AVAILABLE		54	BOLT

**\* ONLY PARTS WITH A "PART ORDER NUMBER" ARE AVAILABLE FOR SALE.**

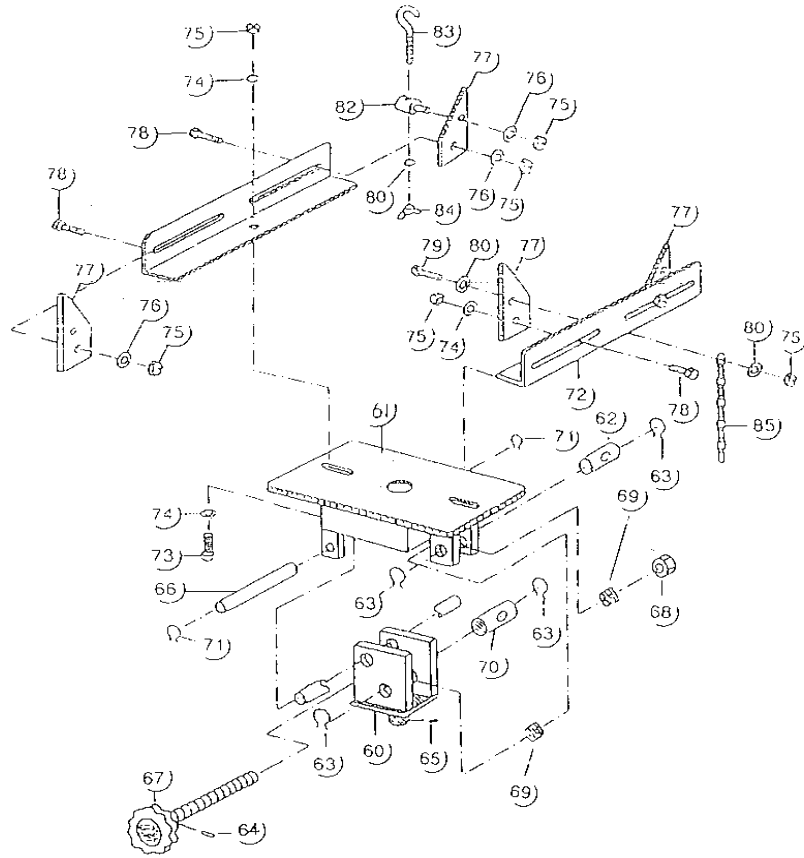
**DO NOT COPY OR DISTRIBUTE THIS MATERIAL WITHOUT PERMISSION OF AFF, INC.**

# MODEL 2158 - 1,100lb. TELESCOPIC TRANSMISSION JACK



DO NOT COPY OR DISTRIBUTE THIS MATERIAL WITHOUT PERMISSION OF AFF, INC.

# MODEL 2158 - HEAD ASSEMBLY



**DO NOT COPY OR DISTRIBUTE THIS MATERIAL WITHOUT PERMISSION OF AFF, INC.**