



MODEL 3172 - 2200lb. LOW-PROFILE TRANSMISSION JACK

UPDATED 3/06

PART ORDER NUMBER	KIT DESCRIPTION	KIT INCLUDES	
		REF. #	DESCRIPTION
3172KHU	HYDRAULIC UNIT	35	HYDRAULIC UNIT COMPLETE
3172KRK	REPAIR KIT	H02	O-RING
		H03	O-RING
		H05	OIL FILL PLUG
		H06	SEALING GASKET
		H07	OIL SEAL
		H14	RETAINING RING
		H15	O-RING
		H19	O-RING
		H20	OIL SEAL
		H27	STEEL BALL 07
		H28	STEEL BALL 05.5
		H30	OIL SEAL
		H34	BACK UP RING
		H35	O-RING
		H36	OIL SEAL
		H37	PISTON PACKING RETAINER
		H38	RETAINING RING
3172K29	RELEASE VALVE ASSEMBLY	36	RELEASE VALVE ASSEMBLY
3172K42C	CASTER	42	CASTER
		43	HEX CAP SCREW
		45	WASHER (4)
		46	NUT (4)
3172K16C	RETAINING PLATE ASSEMBLY (SET OF 4)	14	HEX BOLT (8)
		15	WASHER (8)
		16	FINGER (4)
3172K13C	CHAIN SET	13	CHAIN
		17	HOOK
		18	STUD
		19	WASHER
		20	WING NUT
		21	HEX NUT
3172K44	HANDLE	44	HANDLE
3172K6C	SIDE TILT ASSEMBLY	6	ADJUSTING SCREW WITH KNOB
		7	SPACER
		8	UNTHREADED AXLE
		9	HEX NUT (2)
		10	THREADED AXLE
		11	SNAP RING (2)
3172K24	FORWARD/BACK PIVOT ASSEMBLY	24	ADJUSTING SCREW WITH KNOB
		25	SPRING PIN
		26	UNTHREADED AXLE
		27	WASHER
		28	THREADED AXLE
		29	BEARING
		30	LOCK NUT
3172K32		32	SPRING

* ONLY PARTS WITH A "PART ORDER NUMBER" ARE AVAILABLE FOR SALE.

DO NOT COPY OR DISTRIBUTE THIS MATERIAL WITHOUT PERMISSION OF AFF, INC.



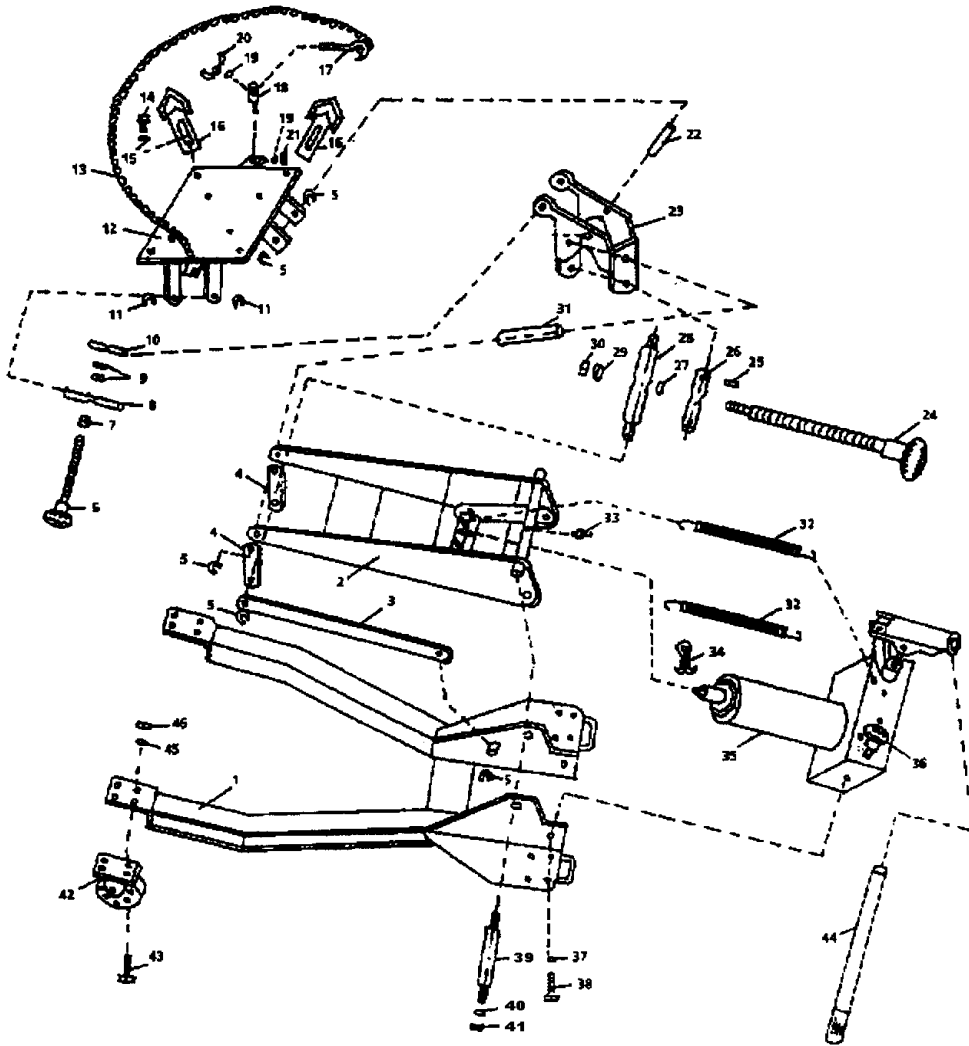
MODEL 3172 - 2200lb. LOW-PROFILE TRANSMISSION JACK

PART		KIT INCLUDES		UPDATED 3/06
ORDER NUMBER	KIT DESCRIPTION	REF. #	DESCRIPTION	
NOT AVAILABLE		1	MAIN FRAME	
NOT AVAILABLE		2	LIFT ARM	
NOT AVAILABLE		3	LIFT ARM STRAP	
NOT AVAILABLE		4	FRONT LINK	
NOT AVAILABLE		5	SNAP RING (8)	
3172-12		12	SADDLE	
NOT AVAILABLE		22	SIDE PIVOT SHAFT	
NOT AVAILABLE		23	SADDLE SUPPORT ASSEMBLY	
NOT AVAILABLE		31	PIVOT SHAFT	
NOT AVAILABLE		33	GREASE FITTING	
NOT AVAILABLE		34	COTTER PIN	
NOT AVAILABLE		37	LOCK WASHER	
NOT AVAILABLE		38	HEX CAPSCREW (4)	
NOT AVAILABLE		39	LIFT ARM PINOT PIN	
NOT AVAILABLE		40	LOCK WASHER (2)	
NOT AVAILABLE		41	HEX NUT (2)	

*** ONLY PARTS WITH A "PART ORDER NUMBER" ARE AVAILABLE FOR SALE.**

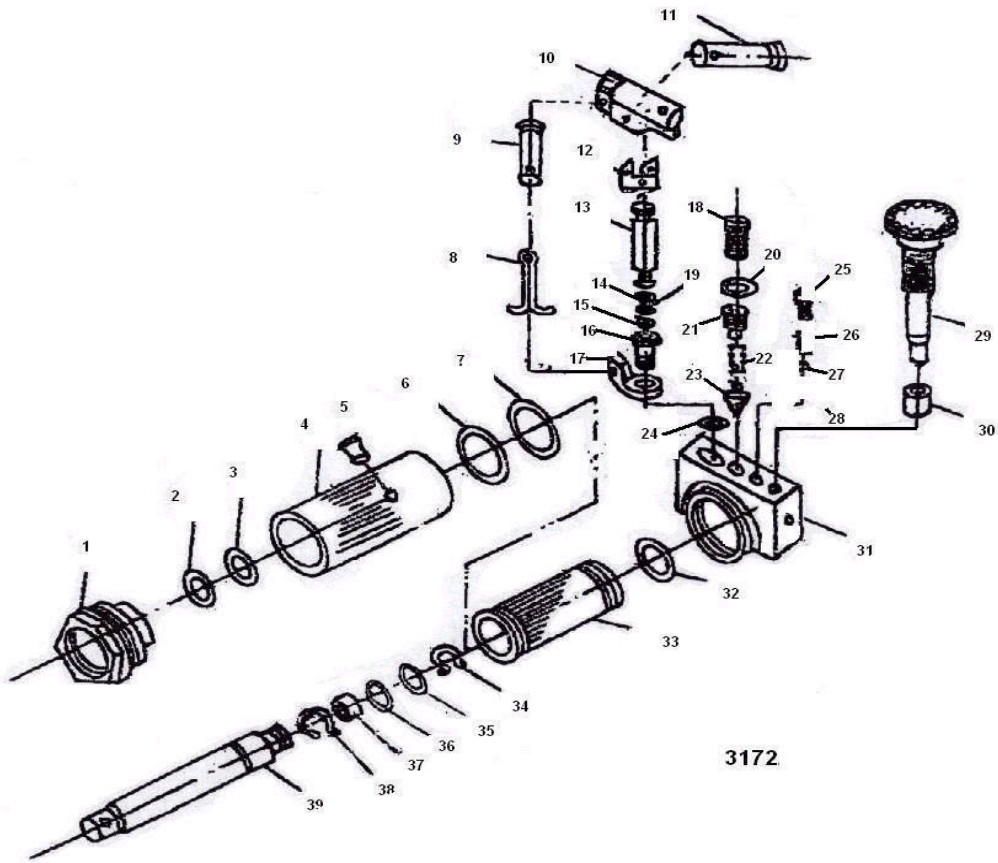
DO NOT COPY OR DISTRIBUTE THIS MATERIAL WITHOUT PERMISSION OF AFF, INC.

**MODEL 3172 - 2200lb. LOW-PROFILE TRANSMISSION JACK
EXPLODED VIEW**



DO NOT COPY OR DISTRIBUTE THIS MATERIAL WITHOUT PERMISSION OF AFF, INC.

**MODEL 3172 - 2200lb. LOW-PROFILE TRANSMISSION JACK
HYDRAULIC UNIT**



3172

DO NOT COPY OR DISTRIBUTE THIS MATERIAL WITHOUT PERMISSION OF AFF, INC.