



MODEL 3001 - 2 1/2 TON FLOOR JACK

UPDATED 3/06

PART ORDER NUMBER	KIT DESCRIPTION	KIT INCLUDES	
		REF. #	DESCRIPTION
3001K07	CASTER ASSEMBLY	7	CASTER
		13	SPLIT LOCKWASHER
		12	LOCK NUT M12
3001K03	FRONT WHEEL COMPLETE	3	FRONT WHEEL
		2	WASHER
		1	RETAINING RING
3001KHU	POWER UNIT	21	POWER UNIT
3001K31	SADDLE	31	SADDLE
3001KHK	HANDLE COMPLETE	18	HANDLE UPPER
		19	HEX HEAD SCREW
		20	HANDLE LOWER
		36	GRIP
3001K15	HANDLE SPRING	15	HANDLE TORSION SPRING
3001K16	YOKE COMPLETE	16	HANDLE SOCKET
		17	HANDLE RETAINER BOLT AT YOKE
		15	HANDLE RETURN SPRING
		23	PLUNGER PIN
		24	GEAR SHAFT
		32	SPLIT PIN
		33	GEAR HANDLE SOCKET
		34	SPRING WASHER
		35	NUT M10
3001K17	HANDLE BOLT	17	HANDLE RETAINER BOLT AT YOKE
3001KRK	REPAIR KIT	H-3	O-RING RETAINER
		H-4	O-RING
		H-5	RETAINING RING
		H-7	O-RING
		H-9	O-RING X 2
		H-10	BACK-UP RING X 2
		H-12	VALVE WASHER
		H-13	VALVE SEALING WASHER
		H-16	O-RING
		H-21	BALL
		H-22	BALL
		H-25	SEAL WASHER
		H-29	BALL
		H-30	WASHER
		H-31	O-RING
H-32	OIL FILL PLUG		
H-34	O-RING		
H-35	O-RING		
NOT AVAILABLE		4	SIDE PLATE ASSEMBLY
NOT AVAILABLE		5	WASHER
NOT AVAILABLE		6	HEX NUT M16
NOT AVAILABLE		8	HEX BOLT
NOT AVAILABLE		9	SPRING WASHER M12
NOT AVAILABLE		10	BOLT
NOT AVAILABLE		11	SPRING WASHER

DO NOT COPY OR DISTRIBUTE THIS MATERIAL WITHOUT PERMISSION OF AFF, INC.



MODEL 3001 - 2 1/2 TON FLOOR JACK

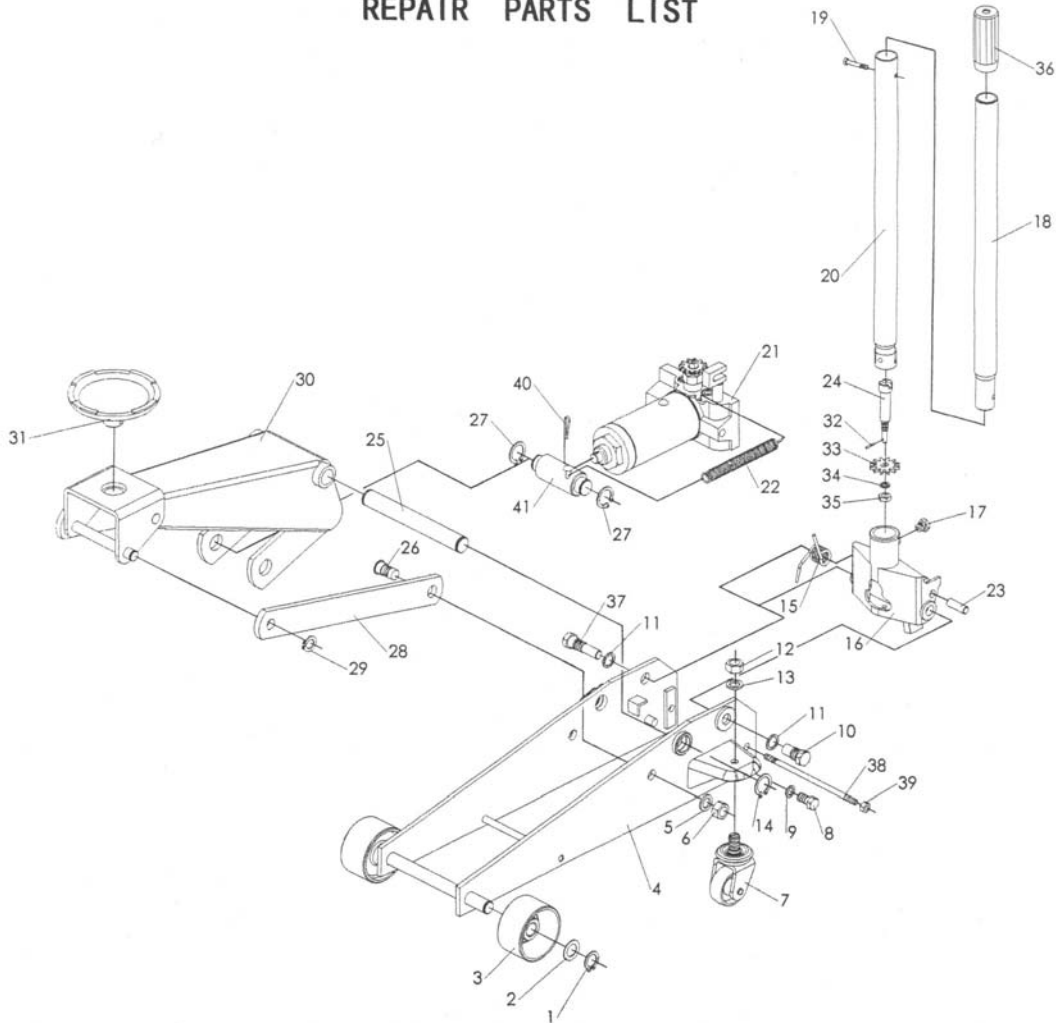
UPDATED 3/06

PART ORDER NUMBER	KIT DESCRIPTION	KIT INCLUDES	
		REF. #	DESCRIPTION
NOT AVAILABLE		14	RETAINING RING
NOT AVAILABLE		22	SPRING
NOT AVAILABLE		25	SHART
NOT AVAILABLE		26	BOLT
NOT AVAILABLE		27	RETAINING RING
NOT AVAILABLE		28	LONG LINKAGE
NOT AVAILABLE		29	RETAINING RING
NOT AVAILABLE		30	LIFT ARM ASSEMBLY
NOT AVAILABLE		37	BOLT
NOT AVAILABLE		38	PULL ROD
NOT AVAILABLE		39	NUT M8
NOT AVAILABLE		40	SPLIT PIN
NOT AVAILABLE		41	BLOCK LINKAGE

DO NOT COPY OR DISTRIBUTE THIS MATERIAL WITHOUT PERMISSION OF AFF, INC.

MODEL 3001 - 2 1/2 TON FLOOR JACK

REPAIR PARTS LIST

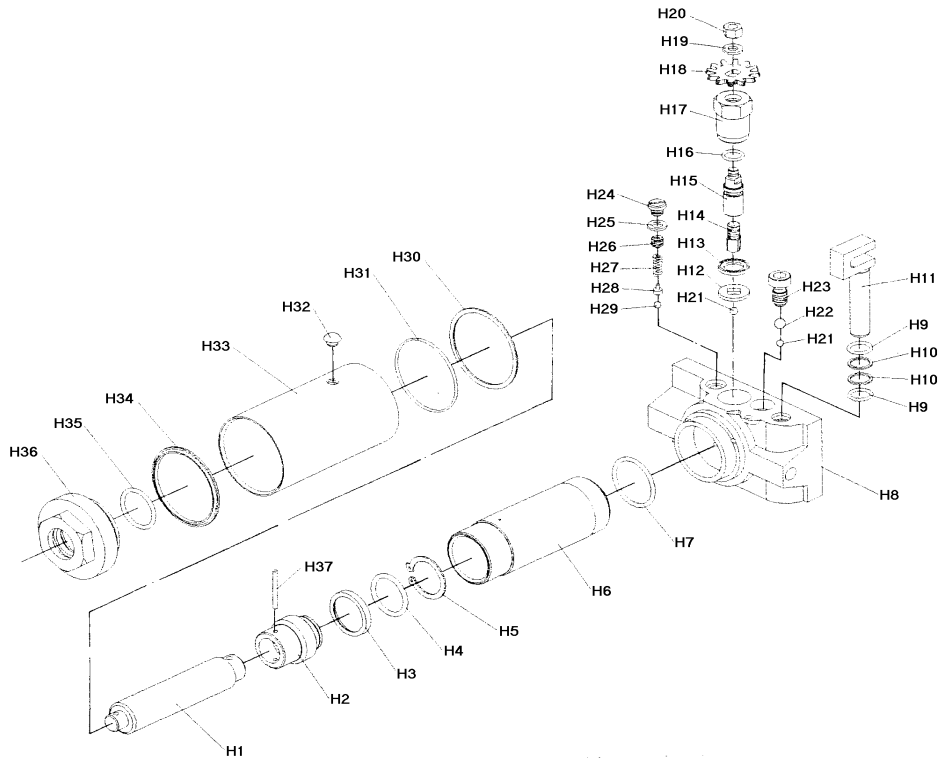


NO.	DESCRIPTION	QTY	NO.	DESCRIPTION	QTY	NO.	DESCRIPTION	QTY
1	RETAINING RING	2	15	TORSION SPRING	1	29	RETAINING RING	2
2	WASHER	2	16	HANDLE SOCKET	1	30	LIFT ARM ASSEMBLY	1
3	WHEEL	2	17	BOLT	1	31	SADDLE	1
4	SIDE PLATE ASSY	1	18	HANDLE UPPER	1	32	SPLIT PIN	1
5	WASHER 16	2	19	HEX BOLT M6×35	1	33	GEAR HANDLE SOCKET	1
6	HEX NUT M16	2	20	HANDLE LOWER	1	34	SPRING WASHER 10	1
7	CASTER ASSEMBLY	2	21	POWER UNIT ASSY	1	35	NUT M10	1
8	HEX BOLT M12×25	2	22	SPRING	1	36	BUMPER	1
9	SPRING WASHER 12	2	23	PLUNGER PIN	1	37	BOLT	1
10	BOLT	1	24	GEAR SHAFT	1	38	PULL ROD	1
11	SPRING WASHER 18	2	25	SHAFT ARM	1	39	NUT M8	2
12	NUT M12	2	26	BOLT	2	40	SPLIT PIN	1
13	SPRING WASHER	2	27	RETAINING RING	2	41	BLOCK LINKAGE	1
14	RETAINING RING	2	28	LONG LINKAGE	2			

*** ONLY PARTS WITH A "PART ORDER NUMBER" ARE AVAILABLE FOR SALE**

DO NOT COPY OR DISTRIBUTE THIS MATERIAL WITHOUT PERMISSION OF AFF, INC.

**MODEL 3001 - 2 1/2 TON FLOOR JACK
HYDRAULIC UNIT**



NO.	DESCRIPTION	QTY	NO.	DESCRIPTION	QTY	NO.	DESCRIPTION	QTY
H1	Ram Rod	1	H14	Release Valve Shaft	1	H27	Relief Valve Spring	1
H2	Ram Head	1	H15	Release Valve Shaft Ram	1	H28	Spring Seat	1
H3	O-Ring Retainer	1	H16	O-Ring 16x2.4	1	H29	Ball 5	1
H4	O-Ring	1	H17	Release Valve Base	1	H30	Washer	1
H5	Retaining Ring	1	H18	Release Valve Gear	1	H31	O-Ring	1
H6	Cylinder	1	H19	Washer 8	1	H32	Oil Fill Plug	1
H7	O-Ring	1	H20	Nut M8	1	H33	Cylinder Outer Case	1
H8	Valve Base	1	H21	Ball 6	2	H34	O-Ring	1
H9	O-Ring	2	H22	Ball 9	1	H35	O-Ring	1
H10	Back-up Ring	2	H23	High-Pressure Bolt	1	H36	Tank Nut	1
H11	Plunger	1	H24	Seal Bolt	1	H37	Pin 4x35	1
H12	Valve Washer	1	H25	Seal Washer	1			
H13	Seal Washer	1	H26	Regulate Bolt	1			

DO NOT COPY OR DISTRIBUTE THIS MATERIAL WITHOUT PERMISSION OF AFF, INC.