



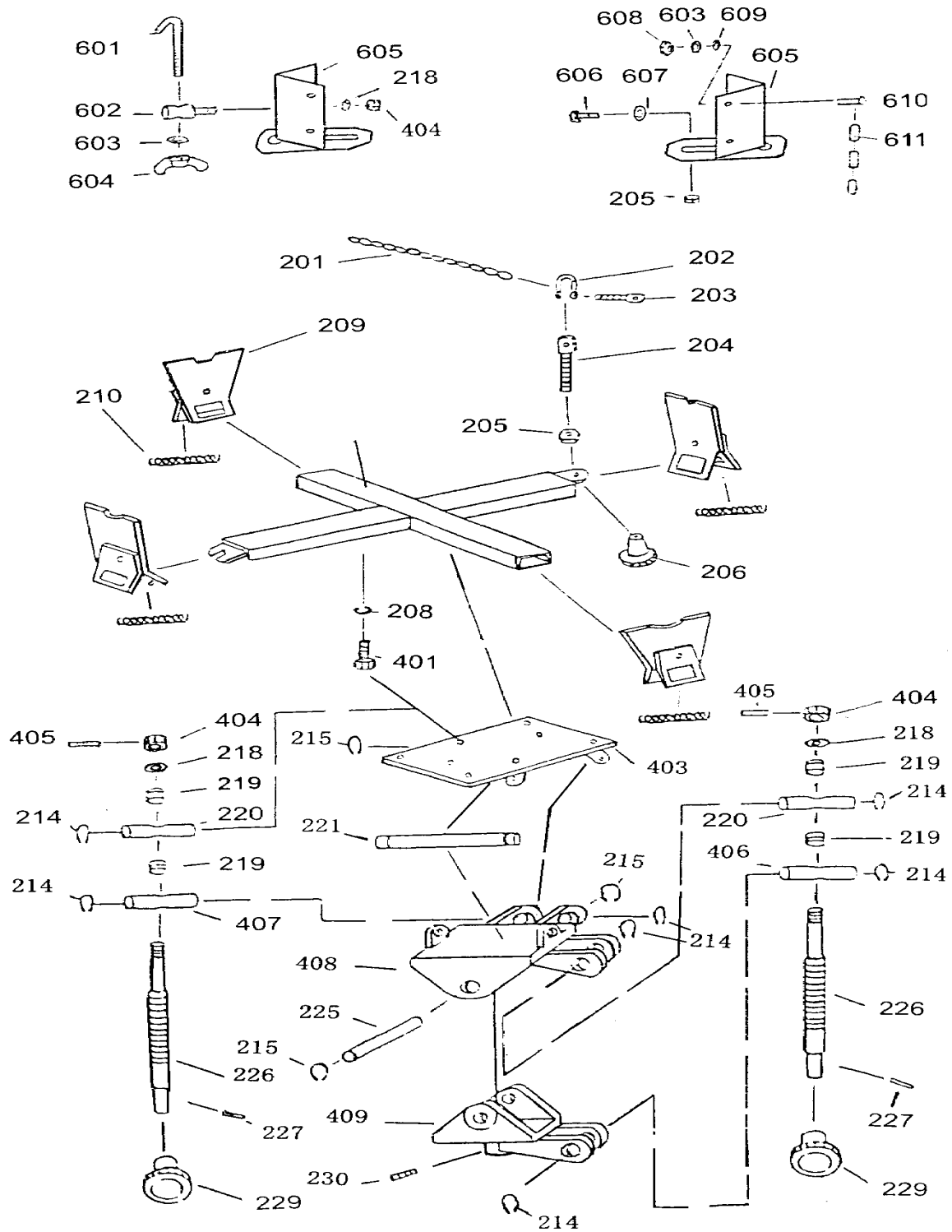
MODEL 3193 - 1000 lb. CAPACITY TRANSMISSION ADAPTER HEAD

UPDATED 3/06

| PART ORDER NUMBER | KIT DESCRIPTION | KIT INCLUDES | |
|----------------------|---------------------------------|--------------|------------------------|
| | | REF. # | DESCRIPTION |
| 3193K226C | ADJUSTMENT SCREW ASSEMBLY | 214 | RETAINING RING |
| | | 217 | NUT |
| | | 218 | WASHER |
| | | 219 | BEARING |
| | | 220 | STATIONARY ROD |
| | | 222 | STATIONARY ROD |
| | | 223 | STATIONARY ROD |
| | | 226 | ADJUSTABLE SCREW |
| | | 227 | SPRING PIN |
| | | 229 | GRIP |
| 3193K202C | CHAIN & BOLT ASSEMBLY | 201 | CHAIN |
| | | 202 | SHACKLE |
| | | 203 | SHACKLE BOLT |
| | | 204 | SCREW |
| | | 205 | NUT |
| | | 206 | GRIP |
| 3193K209C | BRACKET ASSEMBLY | 209 | CLAMP |
| | | 210 | SPRING |
| 3193K210 | SPRING | 210 | SPRING - PACKAGE OF 4 |
| 3193K605C | RETAINER SET W/CHAINS | 601 | CLEVIS PIN (QTY 4) |
| | | 602 | NUT |
| | | 603 | WASHER |
| | | 604 | WASHER |
| | | 605 | BOLT M 12 X 30 |
| | | 606 | BOLT M10 X 65 (QTY 8) |
| | | 607 | WASHER (QTY 8) |
| | | 608 | NUT (QTY 8) |
| | | 609 | BOLT 6 X 12 |
| | | 610 | WASHER |
| | | 611 | CHAIN (2) |
| | | 205 | NUT M12 (4) |
| | | 404 | NUT M10 (2) |
| NOT AVAILABLE | | 207 | BOLT |
| NOT AVAILABLE | | 208 | SPRING WASHER |
| 3193K211 | | 211 | CROSS PIECE |
| NOT AVAILABLE | | 215 | RETAINING RING |
| NOT AVAILABLE | | 216 | SADDLE KIT |
| NOT AVAILABLE | | 221 | CONNECTING ROD |
| NOT AVAILABLE | | 224 | TILTING SADDLE |
| NOT AVAILABLE | | 225 | CONNECTING ROD |
| NOT AVAILABLE | | 228 | BOTTOM PLATE |
| NOT AVAILABLE | | 230 | SET SCREW |

DO NOT COPY OR DISTRIBUTE THIS MATERIAL WITHOUT PERMISSION OF AFF, INC.

MODEL 3193 - 1000 lb. CAPACITY TRANSMISSION ADAPTER HEAD



DO NOT COPY OR DISTRIBUTE THIS MATERIAL WITHOUT PERMISSION OF AFF, INC.