



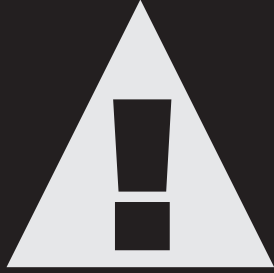
CONTENTS:

Page 1 **Specifications**
Page 2 **Warning Information**
Page 3 **Assembly**
Page 4 **Operating Instructions**
Page 4 **Preventative Maintenance**
Page 5 **Troubleshooting**
Page 6 **Jack Diagram**
Page 7 **Jack Parts Listing**
Page 8 **Saddle Diagram**
Page 9 **Saddle Parts Listing**
Page 10 **Pump Diagram**
Page 11 **Pump Parts Listing**
Page 12 **Warranty Information**



SPECIFICATIONS

Rated Capacity	1,100 LBS
Stroke 1st Stage	19"
Stroke 2nd Stage	20"
Low Height	37"
High Height	78"
Front Tilt	28°
Rear Tilt	49°
Base Width	28x32"
Operation	Air Assist
Weight	170 LBS



WARNING:

Read all instructions and safety warnings before operating this equipment. Failure to follow the instructions and safety warnings may result in personal injury or property damage.

WARNING

The use of portable automotive lifting devices is subject to certain hazards that cannot be prevented by mechanical means, but only by the use of care and common sense. It is essential to have qualified personnel involved in the use and operation of this lifting equipment that have been trained and qualified in its safe operation and proper use. Examples of hazards are dropping, tipping, or slipping of loads caused primarily by improperly securing loads, overloading, off-centered loads, use on poor surfaces, and/or using the equipment for a purpose for which it was not designed.

It is the responsibility of the owner and operator to study and understand this product and follow the safety instructions prior to operating this equipment. If the operator is not fluent in English the product and safety instructions shall be read and discussed in the operator's native language by the purchaser, owner, or his designee.

A copy of these instruction/warnings should be kept intact and located in a convenient location for future reference. If the manual is lost or not readable contact SureWerx USA for a digital copy.

Methods to Avoid Hazardous Situations

- Read, understand, and follow all instructions before operating this device.
- Do not use jack beyond its rated capacity of 1,100 lbs.
- Do not use as a vehicle lifting device or as a vehicle support.
- Do not modify this product for any other purpose than that for which it was designed.
- Do not use any adapters unless approved or supplied by SureWerx USA.
- Wear eye protection that meets ANSI Z87.1.
- Inspect the jack before each use. Do not use if damaged, altered, modified, in poor condition, leaking hydraulic fluid, or unstable due to loose or missing components. Make corrections before using.
- Support the engine with a stand before unbolting the transmission from the engine.
- Consult the vehicle manufacturer for the transmission center of balance. Center load on saddle.
- Do not use a power tool to adjust the saddle tilt screws. Operate by hand or with a wrench.
- Use only on a hard level surface.
- Use of the product is limited to the removal, installation, and transportation in the lowered position of transmissions, transfer cases, and transaxles.
- If any part of the equipment needs repaired or replaced please contact an AFF authorized repair center.
- Failure to heed these warnings may result in serious or fatal personal injury and/or property damage.



ASSEMBLY

1. Refer to the parts diagrams for identification, location, and position of parts.
2. Take out all parts from box.
3. Secure caster with foot brake (47) and regular caster (5) onto the leg base (43) by using nut (44,) lock washer (45,) and washer (46.) Secure the other 2 casters on the opposite leg base using the same hardware. Be sure that each caster with foot brake is placed on each leg directly opposite of each other.
4. Place the hydraulic power (30) unit in an upright position. Secure the leg base (43) to the pump by using washer (48), lock washer (49) and bolt (50.)
5. To assemble the saddle (51) first loosen and remove bolt (S19) and place saddle on the second piston rod (6.) Tighten bolt (S19) to secure.
6. Install the air disconnect of your choice in the air valve. Make sure to apply pipe tape to seal off the threads and prevent any tape from entering the air system.

Air Purging Instructions

If the jack does not raise the load or raises very slowly after activating the pump pedal there may be air trapped in the primary ram and hydraulic system.



Step 3

Operate the foot pedal and lift the adapter to the max height. Loosen screw (#16.) Operate the foot pedal 4-5 times to eliminate any existing air in piston. Tighten screw.

Step 1

Loosen bleeder screw counterclockwise

Step 2

Take off the M6x30 bolt. Loosen M6x5 screw by half turn with 3mm allen wrench. Operate the foot pedal 2-3 times until oil escapes from hole without air bubbles. Keep pedal depressed and tighten both screw and bolt.



OPERATING INSTRUCTIONS

1. Lift the vehicle to the desired work height and support the vehicle in accordance with the lift manufacturer's recommended support procedure and all the instructions and warnings in this manual.
2. Use an under hoist stand rated greater than the weight of the engine to support the engine before unbolting the transmission from the engine or bolting the transmission to the engine.
3. Position the transmission jack directly under the transmission. The transmission jack's saddle (48) can be raised either by foot pump operation (35) or depressing the air valve. A minimum of 100 PSI of compressed air is necessary to lift 1,100 lbs by way of air valve.
4. Raise the jack's saddle to a height very close to the center of balance of the transmission but do not come in contact with the transmission. The saddle has 4 arms that are in an "L" shape. The arms can be used on the short or long portions of the "L." Loosen the bolts to telescope the arms out as far as needed to cradle the transmission. Once adjusted tighten the bolts using the wing nuts provided. Using the foot pump pedal slowly pump the pedal until the saddle supports the transmission. Sometimes it is necessary to turn the fore and aft adjustment handle and/or the side to side adjustment handle so the saddle is in proper alignment with the transmission.
5. Make sure the safety chain is very tight when securing the transmission to the saddle and before removing the under hoist stand that has been supporting the engine.
6. **IMPORTANT:** There are two methods for lowering the jack's saddle. The foot release (32) should only be depressed to lower the saddle quickly without any weight on the saddle. Fine and slow control of lowering the load should be done with turning the release valve handle in a counterclockwise rotation. The more the handle is rotated in a counterclockwise rotation the faster the loaded saddle will descend.
7. Once the transmission has been removed from the engine very slowly turn the release handle in a counterclockwise rotation.
8. When installing a transmission follow the above instructions but in the applicable order and according to the manufacturer's installation procedures.

PREVENTATIVE MAINTENANCE

1. When not in use store the jack in a dry location with the saddle in the lowest position.
2. Always store the jack in a well protected area where it will not be exposed to inclement weather, corrosive vapors, or any other harmful elements. The jack must be removed of water, snow, sand, grit, oil, grease, or other foreign matter before using.
3. Lubricate moving parts excluding the telescopic rams monthly with a general purpose grease.
4. To keep the labels clean and readable use a mild soap solution.
5. To ensure best performance and longer equipment life it is recommended to replace the hydraulic oil once per year. With jack in the lowest position remove the air vent screw (25) and lay the jack on its side. Drain the oil into a suitable container making sure no dirt or debris gets into the system. Set the jack in its upright position and fill with approved hydraulic jack oil. Replace the air vent screw (25) and purge away air from hydraulic system as described in the ASSEMBLY section.
6. Do not attempt to make any hydraulic repairs unless you are a qualified hydraulic repair technician that is familiar with this equipment. Repairs must be done by an authorized repair center.
7. **IMPORTANT:** To prevent seal damage and jack failure never use alcohol, hydraulic brake fluid, or transmission oil in the jack. Use hydraulic oil only.

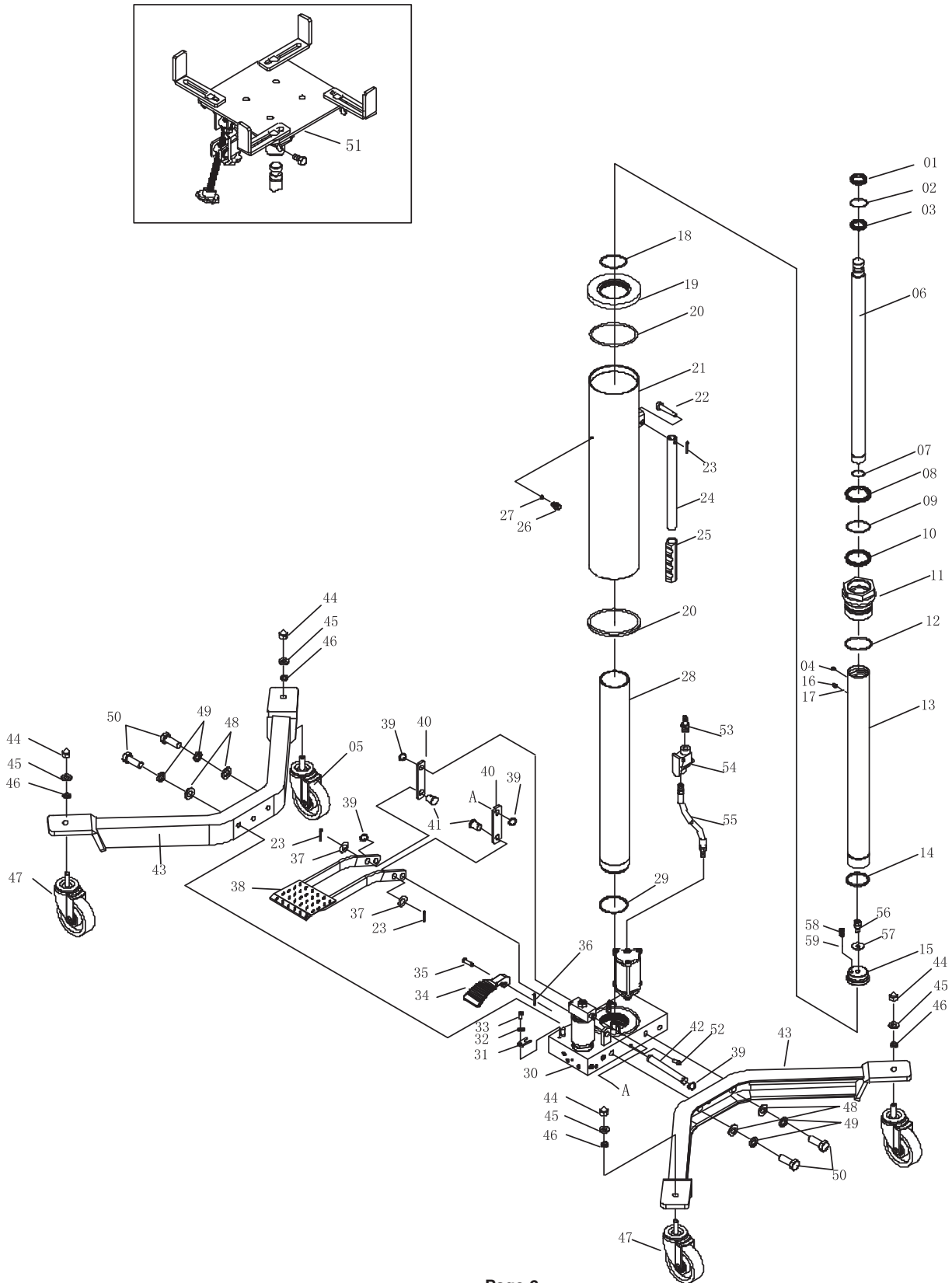


TROUBLESHOOTING

PROBLEM	POSSIBLE CAUSE	SOLUTION
<ul style="list-style-type: none"> • Unit will not lift rated load 	<ul style="list-style-type: none"> • Air in the hydraulic system • Inner leaking • Not enough oil 	<ul style="list-style-type: none"> • Purge air from hydraulic system by following procedure under SETUP • Contact repair depot • Refer to maintenance section and fill to correct fluid level
<ul style="list-style-type: none"> • Unit lifts slowly 	<ul style="list-style-type: none"> • Air in the hydraulic system • Inner leaking 	<ul style="list-style-type: none"> • Purge air from hydraulic system by following procedure under SETUP • Contact repair depot
<ul style="list-style-type: none"> • Lift or descent is not smooth 	<ul style="list-style-type: none"> • The piston rod needs lubricating • Air in the ram 	<ul style="list-style-type: none"> • Add lubricating oil on the piston rod and raise and lower one cycle • Purge air from hydraulic system by following procedure under SETUP
<ul style="list-style-type: none"> • Unit will not raise to full height 	<ul style="list-style-type: none"> • Air in the hydraulic system 	<ul style="list-style-type: none"> • Purge air from hydraulic system by following procedure under SETUP
<ul style="list-style-type: none"> • Unit fails to keep pressure 	<ul style="list-style-type: none"> • The release pedal is working improperly • Inner leaking 	<ul style="list-style-type: none"> • Check the release pedal for anything abnormal • Contact an AFF authorized repair depot
<ul style="list-style-type: none"> • Unit still does not operate 		<ul style="list-style-type: none"> • Contact an AFF authorized repair depot



JACK DIAGRAM



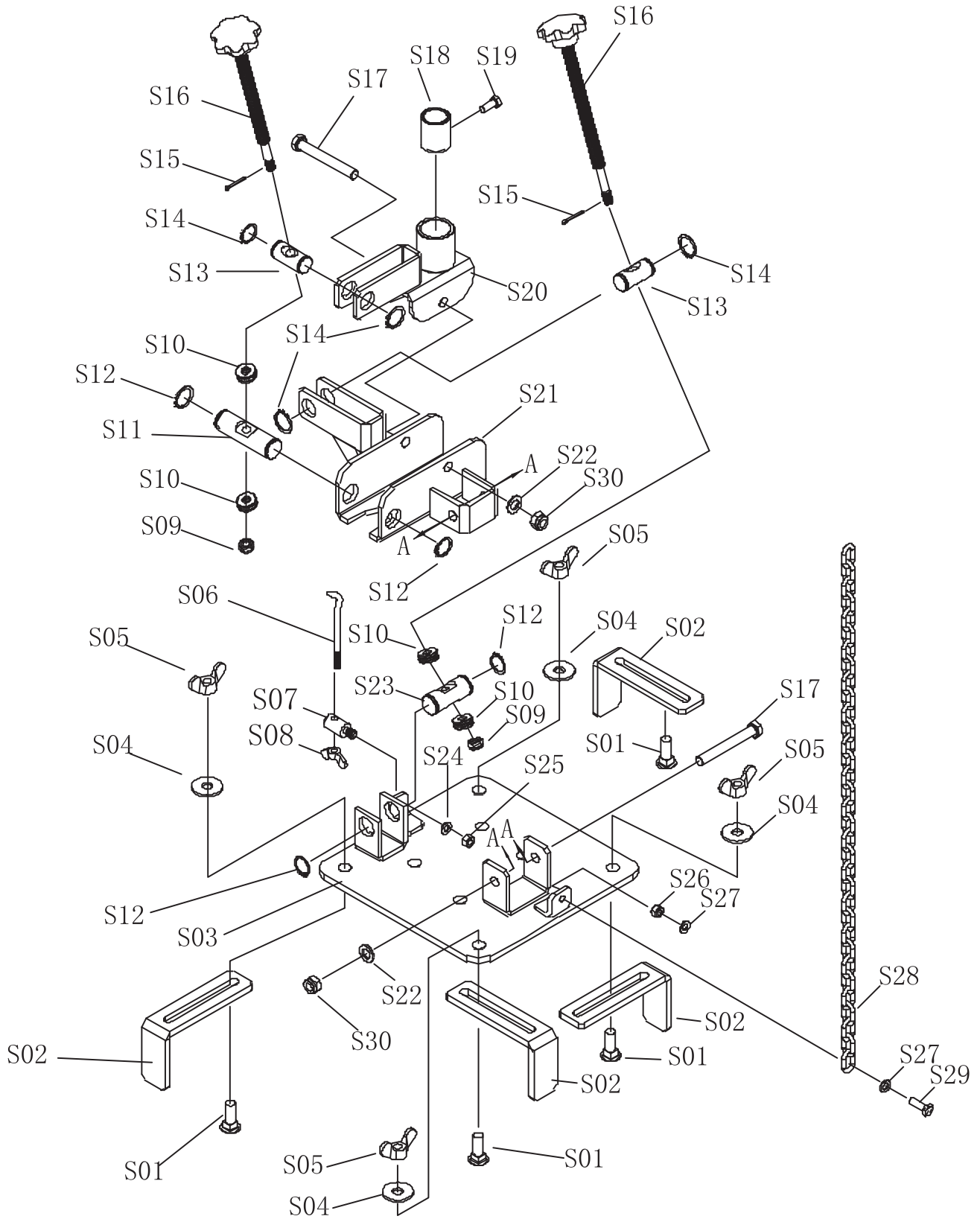


JACK PARTS LIST

Parts No.	Description	Qty	Parts No.	Description	Qty
1	Dust ring	1	30	Pump	1
2	O-ring	1	31	U-limited	1
3	U-ring	1	32	Lock washer	1
4	Oil cup	1	33	Screw	1
5	Caster	2	34	Release pedal	1
6	Second piston rod	1	35	Pin	1
7	Retainer ring	1	36	Cotter pin	1
8	Dust ring	1	37	Washer	2
9	O-ring	1	38	Foot pedal	1
10	U-ring	1	39	Retainer ring	4
11	Round nut	1	40	Connect rod	2
12	O-ring	1	41	Pin	2
13	First piston rod	1	42	Pin	1
14	Limited ring	1	43	Legs	2
15	Plunger	1	44	Nut	4
16	Screw	1	45	Lock washer	4
17	Steel	1	46	Washer	4
18	O-ring	1	47	Caster with brake	2
19	Round nut base	1	48	Washer	4
20	Waher	2	49	Lock washer	4
21	Oil tank	1	50	Bolt	4
22	Pin	1	51	Saddle	1
23	Cotter pin	3	52	Screw	2
24	Handle	1	53	Air hose connector	1
25	Handle cover	1	54	Air valve	1
26	Exhaust screw	1	55	Air hose	1
27	Seal ring	1	56	Second Limited valve	1
28	Ram	1	57	Washer	1
29	Washer	1	58	Spring	1
			59	Steel ball	1



SADDLE DIAGRAM



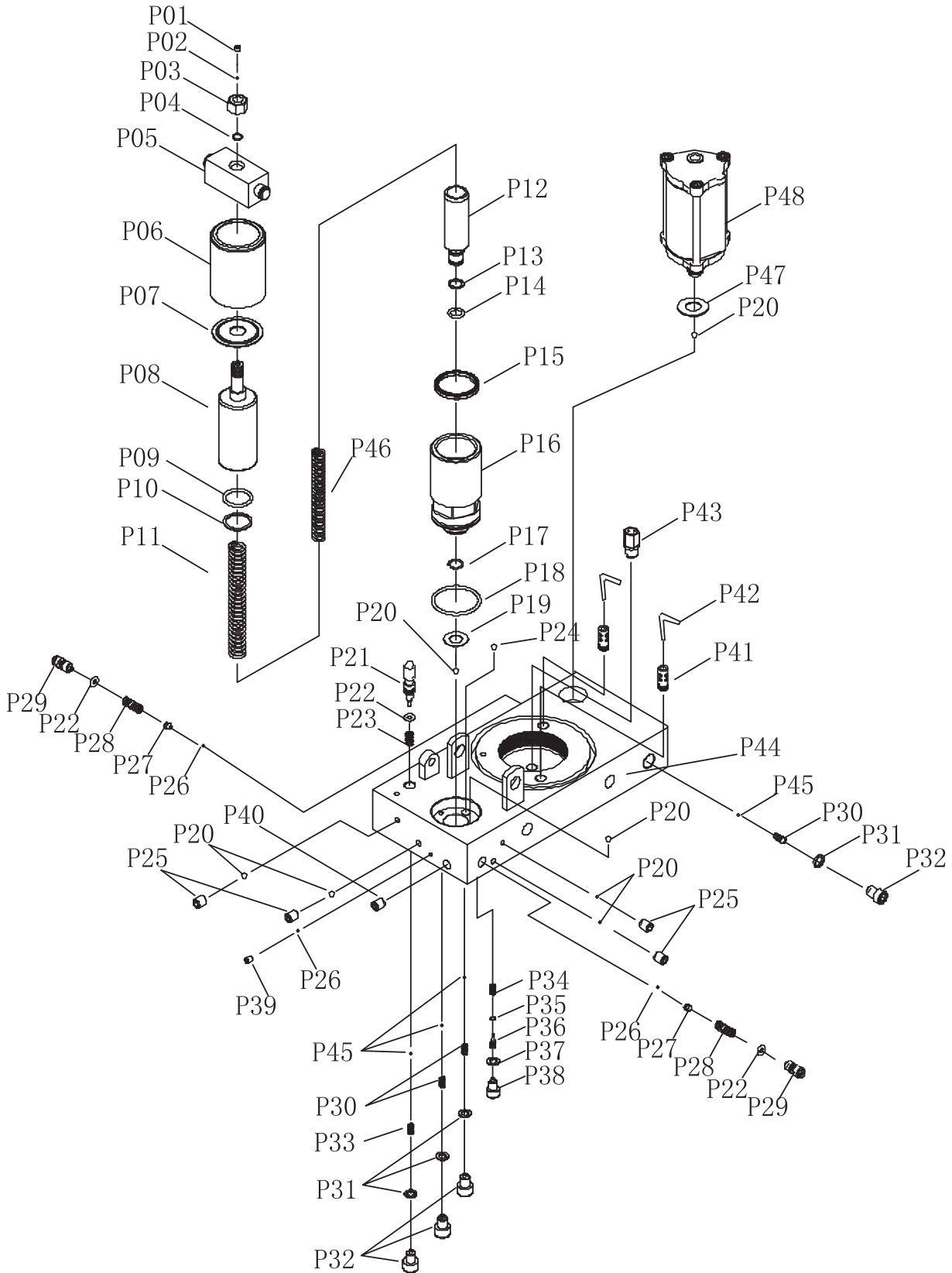


SADDLE PARTS LIST

Parts No.	Description	Qty	Parts No.	Description	Qty
S01	Bolt	4	S16	Adjusted Handle	2
S02	Block	4	S17	Bolt	2
S03	Plate	1	S18	Cover	1
S04	Washer	4	S19	Bolt	1
S05	Nut	4	S20	Saddle Base	1
S06	Chain Hook	1	S21	Plate Carrier	1
S07	Hook Base	1	S22	Washer	2
S08	Nut	1	S23	Pin2	1
S09	Nut	2	S24	Washer	1
S10	Bear	4	S25	Nut	1
S11	Pin	1	S26	Nut	1
S12	Retainer Ring	4	S27	Washer	2
S13	Pin1	2	S28	Chain	1
S14	Retainer Ring	4	S29	Bolt	1
S15	Cotter Pin	2	S30	Nut	2



PUMP DIAGRAM





PUMP PARTS LIST

PARTS No.	DESC	QTY	PARTS No.	DESC
P1	Screw	1	P25	Screw
P2	Steel Ball	1	P26	Steel Ball
P3	Nut	1	P27	Steel Ball Base
P4	O-Ring	1	P28	Spring
P5	Pin Cover	1	P29	Screw
P6	Dust Cover	1	P30	Spring
P7	Dust Plunger	1	P31	Washer
P8	Big Pump Core	1	P32	Screw
P9	O-Ring	1	P33	Spring
P10	Washer	1	P34	Spring
P11	Spring	1	P35	O-Ring
P12	Small Pump Core	1	P36	Push Rod
P13	Washer	1	P37	Copper Washer
P14	O-Ring	1	P38	Screw
P15	U-Ring	1	P39	Screw
P16	Pump Core Base	1	P40	Screw
P17	Retainer Ring	1	P41	Connector
P18	O-Ring	1	P42	Filter
P19	Small Copper Washer	1	P43	First Limited Valve
P20	Steel Ball	7	P44	Pump
P21	Release Valve Core	1	P45	Steel Ball
P22	O-Ring	3	P46	Spring
P23	Spring	1	P47	Copper Washer
P24	Steel Ball	1	P48	Air Motor



WARRANTY INFORMATION

1 YEAR LIMITED WARRANTY

SureWerx USA Inc. warrants, to the final purchaser, jacks and related service equipment distributed by it to be free from defects in material and workmanship for a period of 1 year from date of sale. This warranty covers SureWerx USA Inc. and Viking branded products.

If a jack or related equipment is determined to be defective during the warranty period, it will be repaired or replaced without charge provided that the equipment is shipped, transportation charges prepaid and with proof of purchase to SureWerx USA Inc. or to a designated field service depot.

This warranty does not apply to parts damaged from accident, overload, or abuse, nor does it apply to product which has been altered or used with special attachments other than recommended by the distributor or equivalent.

THERE ARE NO OTHER WARRANTIES OF ANY SORT, EXPRESS OR IMPLIED, AND SELLER SPECIFICALLY DISCLAIMS ANY WARRANTY OF MERCHANTABILITY OR OF FITNESS FOR ANY PARTICULAR PURPOSE. THE SELLER'S SOLE OBLIGATION, WHICH SHALL REPRESENT THE BUYER'S SOLE EXCLUSIVE REMEDY, SHALL BE TO REPAIR OR AT THE SELLER'S OPTION TO REPLACE ANY PRODUCT OR PART DETERMINED TO BE DEFECTIVE AS AFOREMENTIONED. IN NO EVENT SHALL THE SELLER BE LIABLE FOR ANY SPECIAL, DIRECT, INDIRECT, INCIDENTAL, CONSEQUENTIAL, OR OTHER DAMAGES OF A SIMILAR PRODUCTION TIME, OR LOSS OR EXPENSES OF ANY NATURE, INCURRED BY THE BUYER OR ANY THIRD PARTY.

For warranty information call SureWerx USA toll free at 800.323.7402